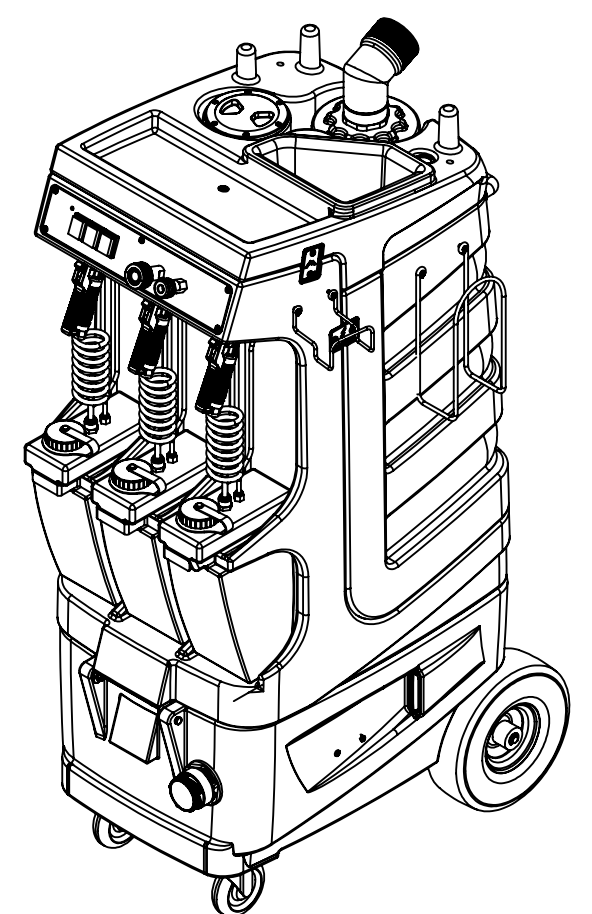


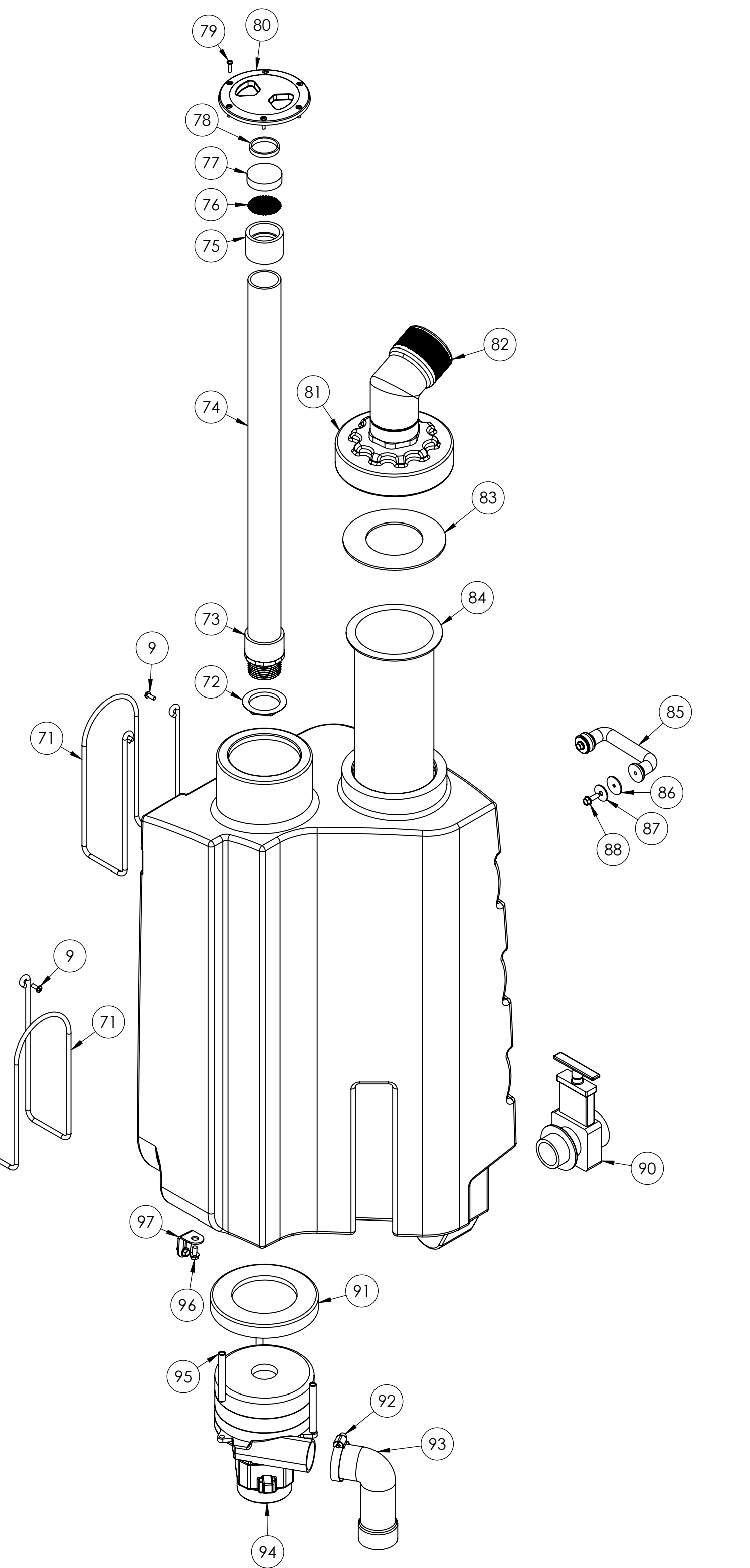
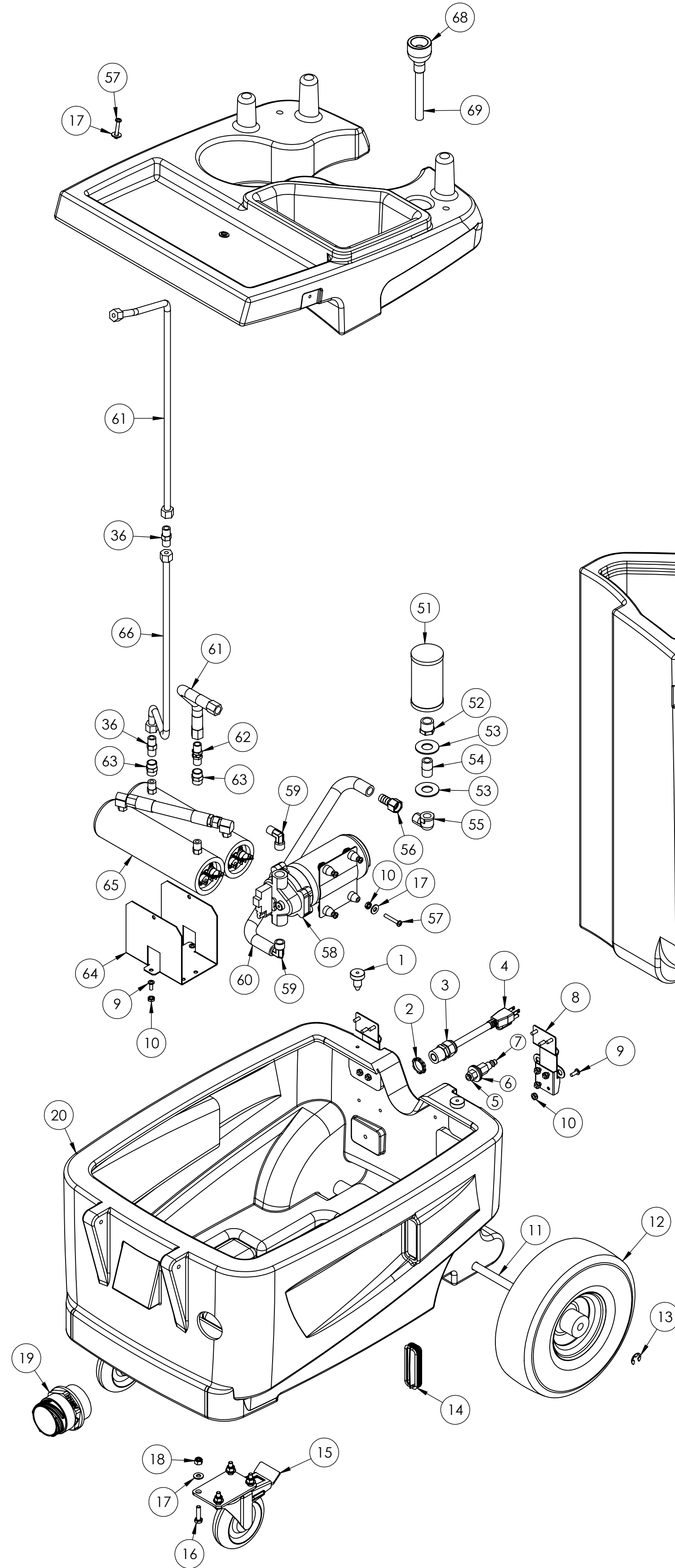
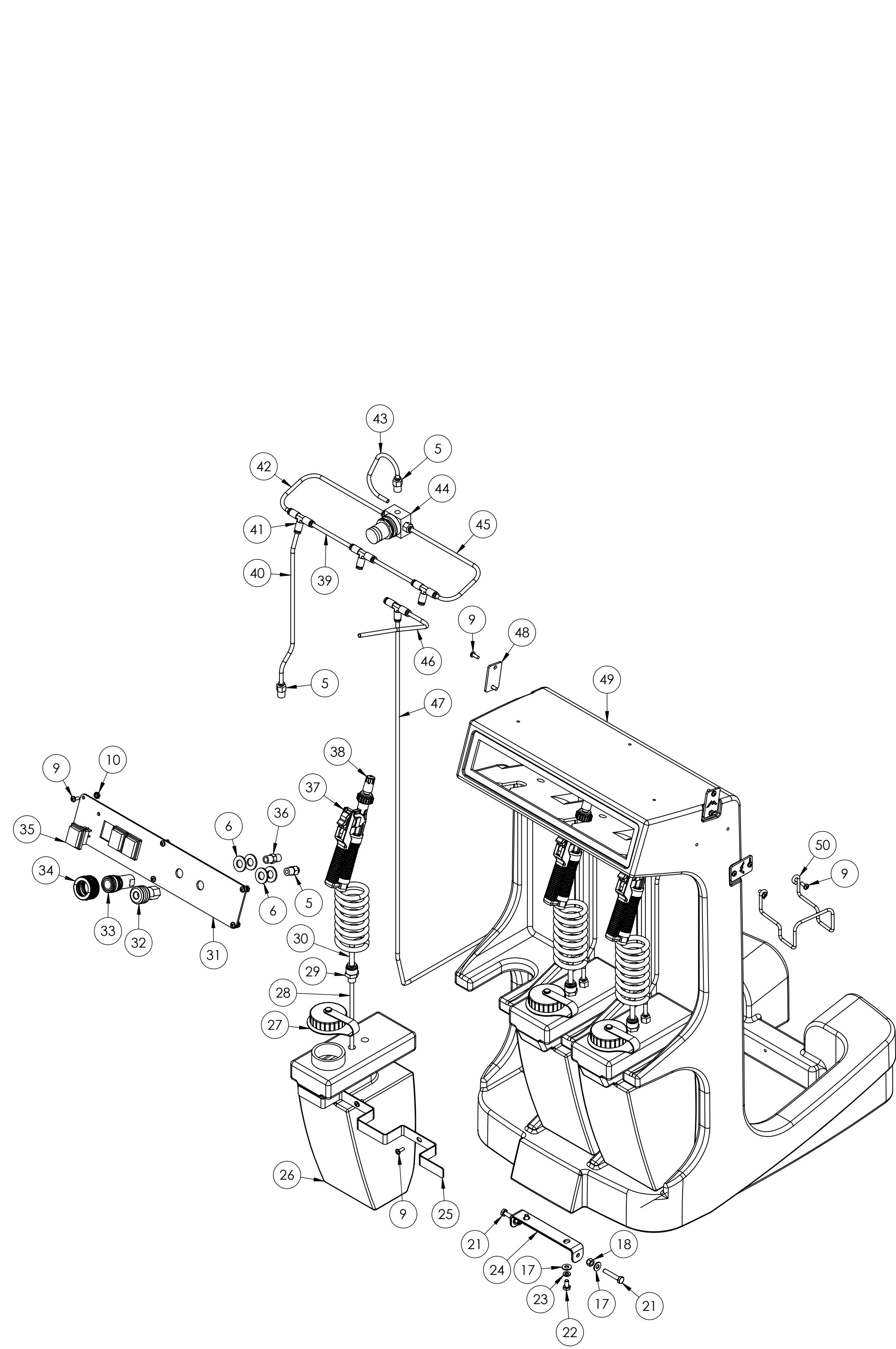
ITEM NO.	PART NO.	DESCRIPTION	QTY.
1	G068	bumper, 7/8" x 1/4" head	2
2	H221	nut, lock, 1/2" steel, electrical	1
3	H220	fitting, strain relief, cord	1
4	E531	power cord, end, 25', 12/3 black	1
5	B166	fitting, brass, 1/4"mpt x 1/4" push-in	8
6	H876	washer, 1/2 flat, s/s	6
7	B191	qd, brass, 1/4" male, pneumatic	1
8	H486	latch, front, set, large	2
9	H230	screw, 10-32 x 1/2" phil pan head, s/s	38
10	H273	nut, kep, #10-32 zinc	20
11	H232	axle, 18.80" x .50"	1
12	H109	wheel, 10", foam filled	2
13	H042	c-clip, 12mm, external	2
14	P514	vent, side, LTD	2
15	H668	caster, 4", black hub & gray tread	2
16	H342	bolt, 1/4-20 x 1" hex head, s/s	8
17	H210	washer, 1/4" flat, s/s	19
18	H216	nut, lock, 1/4-20, nylon insert, s/s	10
19	H135V	Cuff-Lynx, 2" male cuff x 2" male thread starter cuff, vinyl	1
20	P511	LX series base	1
21	H316	bolt, 1/4-20 x 1-1/2" hex head, s/s	2
22	H201	bolt, 1/4-20 x 1/2" hex head, zinc	2
23	H213	washer, 1/4" lock, s/s	2
24	H378	bracket, front hinge, sp/fb	1
25	H626	strap, bottle, prep center	1
26	PC13	bottle, 3 qt, natural	3
27	G036	cap, 2.5" threaded, tethered	3
28	PH657-12	tubing, 1/4", nylon, blk	3
29	B201	fitting, plastic 3/8" push in	3
30	PC-07	sol hose, black coil	3
31	H454	switch plate, prep center	1
32	B190	qd, brass, 1/4" female, pneumatic	1
33	B102	qd, brass, 1/4" f x 1/4" fpt	1
34	P590	heat guard, 1/4" qd, standard	2
35	E515	switch, rocker, 2 position	3
36	B107	nipple, brass, 1/4"m, hex	3
37	PC12	tool, fluid dispenser	3
38	PC12A	jet, dispenser tool	3
39	PH657-5	tubing, 1/4", nylon, blk	2
40	PH657-21	tubing, 1/4", nylon, blk	3
41	B178	tee, brass, 1/4", push-in	4
42	PH657-14	tubing, 1/4", nylon, blk	1
43	PH657-21	tubing, 1/4", nylon, blk	1
44	H968	regulator, 0-60 psi, detail machine	1
45	PH657-16	tubing, 1/4", nylon, blk	1
46	PH657-17	tubing, 1/4", nylon, blk	1
47	PH657-60	tubing, 1/4", nylon, blk	1
48	H312	plate, connecting, MyteeLite	4
49	P651	body, Prep Center	1
50	H547	hanger, wire for injection sprayer	1
51	H333	filter, mesh, auto dump, 1/2" npt	1
52	B210	bushing, brass, 1/2"mpt x 3/8" fpt, hex	1
53	H299	washer, 11/16" id x 1-1/2" od x .075, s/s	2
54	B216	nipple, brass, 3/8" x close	1
55	B273	elbow, 90 deg street, 3/8" fpt x 1/2" mpt	1
56	B160	adapter, brass, 1/2" barb x 3/8" fsw, ball end	1
57	H222	screw, 10-32 x 1-1/4" phil pan head, s/s	7
58	C305	pump, 120 psi, 115V	1
59	B652	elbow, 90 deg, 3/8"mpt x 1/4"mpt	2
60	PH615-3.5	sol hose, 1/2" kuri 100psi	1
61	AH184	sol hose, pulse, 3/8" x 14.5', 1/4 fsw x 1/4 fpt	1
62	B108	valve, brass, 1/4" check	1

ITEM NO.	PART NO.	DESCRIPTION	QTY.
63	B142A	coupling, brass, 1/4" fpt x 1/4" fpt	2
64	H528	bracket, heater mounting, dual	1
65	A907	heater, 1200wt, 115v	1
66	AH120	sol hose, 1/4" x 24 1/2", (OAL), f x fsw, 3000psi	2
67	P652	lid, Prep Center	1
68	H178	faucet fill	1
69	PH715-36	sol hose, 3/8", silicone braided, clear	1
70	P653	sol tank, Prep Center	1
71	H375	hanger, wire formed, hose	2
72	H314	nut, lock, 1-1/2", steel	1
73	P520	adapter, 1.5" mpt pvc	1
74	PH633-13	pipe, pvc, 1-1/2"	1
75	P502	adapter, 1.5" pvc, fslip x fslip	1
76	G097	filter, screen mesh, 1.90" dia	1
77	G003	filter, foam, 2", vac stack, 1/2"	1
78	PH633-1	pipe, pvc, 1-1/2"	1
79	H304	screw, 8 x 5/8", phil oval, s/s	6
80	G030	lid, vac tank, 3.5", clear	1
81	P561	cap, 6", threaded, w/ 2" npt	1
82	P517	vacuum sight tube w/ 2" fw mpt Cuff-Lynx	1
83	G031	gasket, 3.25" i.d. x 5.88" o.d.	1
84	H359	basket, strainer, 4.5 DIA x 12.5	1
85	H485	handle, aluminum grip, black	2
86	G052	washer, buna 1-1/8" od x 3/16" id	4
87	H211	washer, 1/4" id x 1" od, flat, s/s	4
88	H768	bolt, 1/4-20 x 3/4" serrated hex flange, zinc	4
89	P654	vac tank, Prep Center	1
90	H225	valve, drain, 1-1/2"	1
91	G004	gasket, vacuum motor	1
92	H217	clamp, hose, 2-1/4 dia	1
93	G059	exhaust boot, plastisol	1
94	C302LA	vac motor, 3 stage, low amp	1
95	H503	vac support, 3 stage, 3.25", no thrds	3
96	H770	bolt, 1/4-20 x 1/2" serrated hex flange, zinc	10
97	H561	jet bracket, ECO-17	5

REVISIONS			
REV.	DESCRIPTION	DATE	APPROVED
OD	ORIGINAL DRAFT		JFL

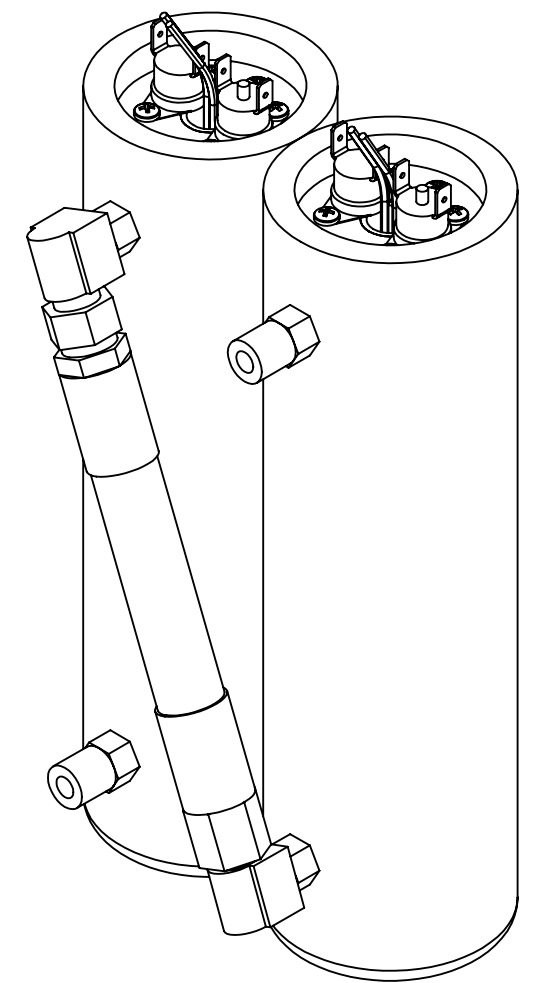
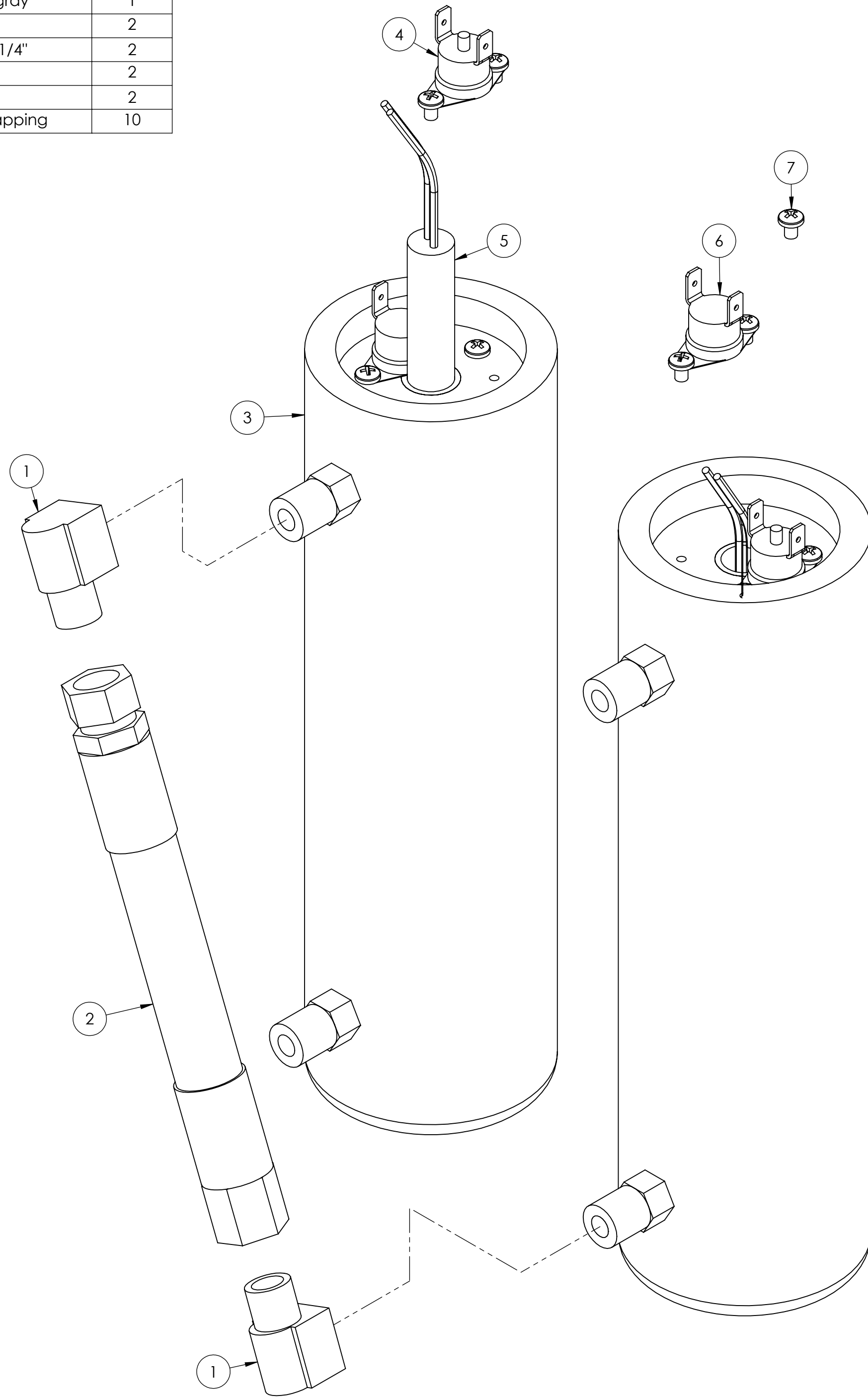


NAME	DATE	MYTEE PRODUCTS, INC.	
DRAWN M.LaBarbera	3/2019	858-679-1191	
CHECKED		TITLE:	
COMMENTS:		Prep Center	
<small>PROPRIETARY AND CONFIDENTIAL</small> <small>THE INFORMATION CONTAINED IN THIS DRAWING IS THE SOLE PROPERTY OF MYTEE PRODUCTS, INC. ANY REPRODUCTION IN PART OR AS A WHOLE WITHOUT THE WRITTEN PERMISSION OF MYTEE PRODUCTS, INC. IS PROHIBITED.</small>		SIZE	REV
		C	OD
		DWG. NO.	
		80-120	
SCALE: 1:48		DO NOT SCALE DRAWING	SHEET 1 OF 3



NAME	DATE	MYTEE PRODUCTS, INC. 858-679-1191
M.LaBarbera	3/2019	
TITLE:		Prep Center
SIZE	DWG. NO.	REV
D	80-120	OD
SCALE: 1:48	DO NOT SCALE DRAWING	SHEET 2 OF 3

ITEM NO.	PART NO.	DESCRIPTION	QTY.
1	B103	elbow, brass, 90 deg, 1/4"mpt x 1/4" fpt	2
2	AH156	hose, 3/8" x 6.5" (OAL), f x fs, 5400 gray	1
3	H903A	heater, aluminum cast, single	2
4	E574	Thermostat, 310°F ± 10°F, Manual, 1/4"	2
5	E571	heating rod, 600W, 115V	2
6	E573	Thermostat, 200°, Auto, 1/4"	2
7	H274	screw, 6 x 3/16, phil pan head, self-tapping	10



	NAME	DATE	MYTEE PRODUCTS, INC.		
DRAWN	M. LaBarbera	2/26/10	858-679-1191		
CHECKED			TITLE:		
<small>PROPRIETARY AND CONFIDENTIAL THE INFORMATION CONTAINED IN THIS DRAWING IS THE SOLE PROPERTY OF MYTEE PRODUCTS, INC. ANY REPRODUCTION IN PART OR AS A WHOLE WITHOUT THE WRITTEN PERMISSION OF MYTEE PRODUCTS, INC. IS PROHIBITED.</small>			heater, 1200wt, 115v		
			SIZE	DWG. NO.	REV
			C	80-120	OD
			SCALE: 2:2	DO NOT SCALE DRAWING	SHEET 3 OF 3