



WIDE AREA VACUUM PARTS MANUAL

OPERATING & MAINTENANCE INSTRUCTIONS

INTRODUCTION

READ THIS BOOK

This operator's book has important information for the use and safe operation of this machine. Read this book carefully before starting the machine. Keep this book and tell all operators to read the book. If you do not follow the instructions, you can cause an injury or damage equipment, furniture or buildings.

For new books write to:

Hoover, Inc.
7500 Cochran Road
Glenwillow, OH 44139
For Service: (888) 321-1134 ext. 2554

Carefully inspect all components to ensure that there is no concealed freight damage. If such damage is discovered, file a "CONCEALED DAMAGE REPORT" immediately with the delivering carrier.

The contents of this manual are based on the latest product information available at the time of publication. Hoover, Inc. reserves the right to make changes or improvements to its machines without notice.

FOR YOUR CONVENIENCE, RECORD THE FOLLOWING IMPORTANT INFORMATION:

MODEL _____

SERIAL NUMBER _____

PART NUMBER _____

DATE PURCHASED _____

IMPORTANT SAFETY INSTRUCTIONS

READ AND UNDERSTAND ALL WARNINGS AND INSTRUCTIONS IN THIS BOOK BEFORE USING THIS MACHINE! If you do not understand, ask your supervisor.

WARNING: To reduce the risk of fire, electric shock, or injury:

1. DO NOT USE THIS VACUUM FOR PICK UP OF WET DEBRIS.
2. Do not use outdoors or on wet surfaces.
3. Do not allow to be used as a toy. Close attention is necessary when used by or near children.
4. You must be trained to operate this machine. Operate this machine for its intended use only.
5. Do not operate this machine unless it is completely assembled. The dust bag and/or filters must be in place. Use only manufacturer's attachments.
6. Keep the machine and its electrical components dry. Do not subject to rain. Store the machine in a dry building area. Clean the machine with a dry cloth only.
7. Machines can cause an explosion when near flammable materials and vapors. Do not use or store this machine with or near fuels, grain dust, solvents, thinners, or other flammable materials. Do not use flammables to clean this machine.
8. Do not pick up anything that is burning or smoking, such as cigarettes, matches or hot ashes.
9. Maintenance and repairs must be done by a qualified or authorized service center.
10. If the machine is not working as it should, has been dropped, damaged, left outdoors, or dropped into water, return it to a service center.
11. Connect to a properly grounded outlet only (See Grounding Instructions).
12. To prevent electric shock, always remove the electrical plug from the electrical outlet before doing any repairs or maintenance and when leaving the machine unattended. Do not handle plug or vacuum with wet hands.
13. Do not pull cord, use cord as a handle, close a door on cord, or pull cord around sharp edges or corners. Keep cord away from heated surfaces. Do not use with damaged cord or plug.
14. Turn off all controls before unplugging.
15. Do not put objects into openings. Do not use with any opening blocked: keep free of dust, lint, hair and anything that may reduce airflow.
16. Keep hair, loose clothing, fingers and all parts of the body away from openings and moving parts.
17. Make sure all labels, decals, warnings, cautions and instructions are fastened to the machine.

Grounding Instructions

This machine must be grounded. If it should malfunction or break down, grounding provides a path of least resistance for electric current to reduce the risk of electric shock. This machine is equipped with a cord having an equipment-grounding conductor and grounding plug. The plug must be inserted into an appropriate outlet that is properly installed and grounded in accordance with all local codes and ordinances.

WARNING - Improper connection of the equipment-grounding conductor can result in a risk of electric shock. Check with a qualified electrician or service person if you are in doubt as to whether the outlet is properly grounded. Do not modify the plug provided with the machine - if it will not fit the outlet, have a proper outlet installed by a qualified electrician.

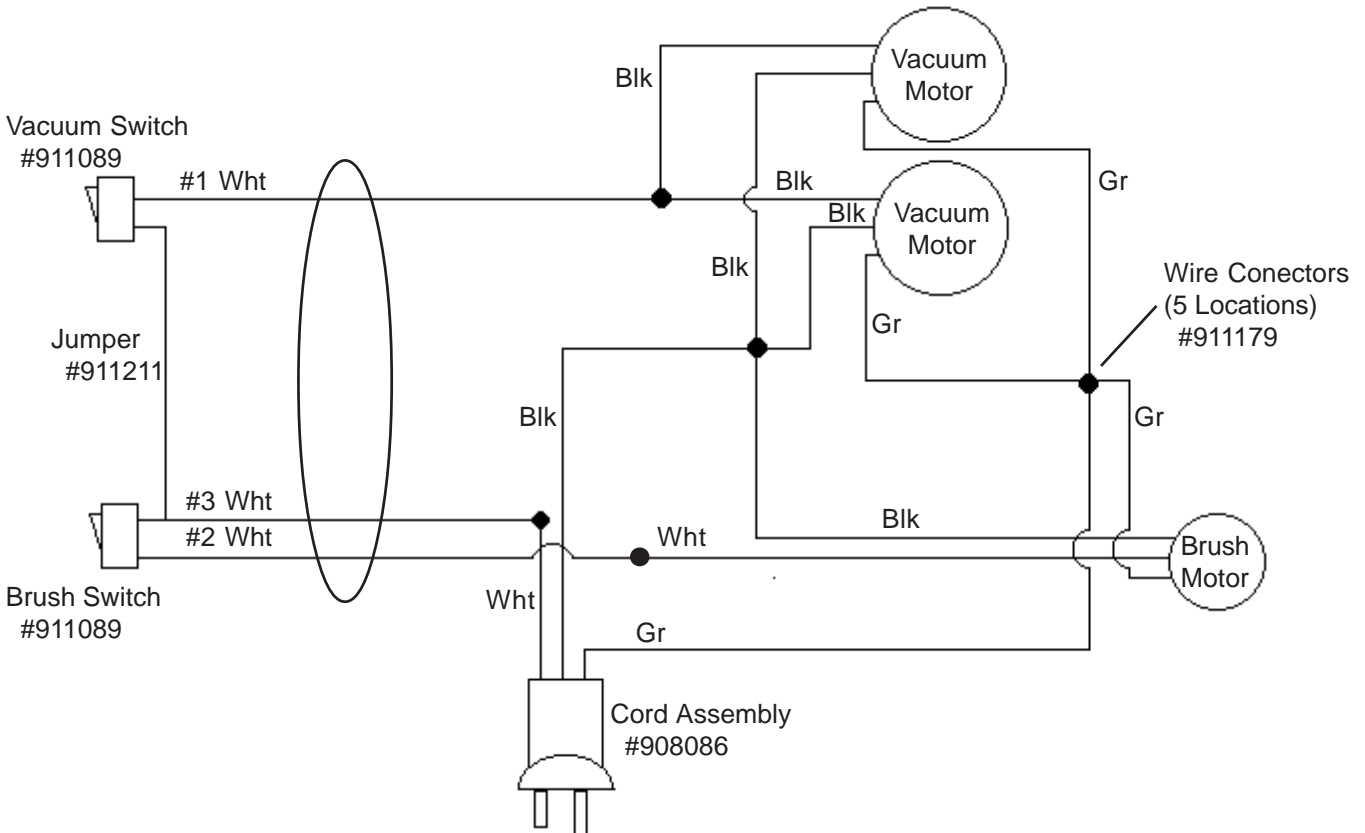
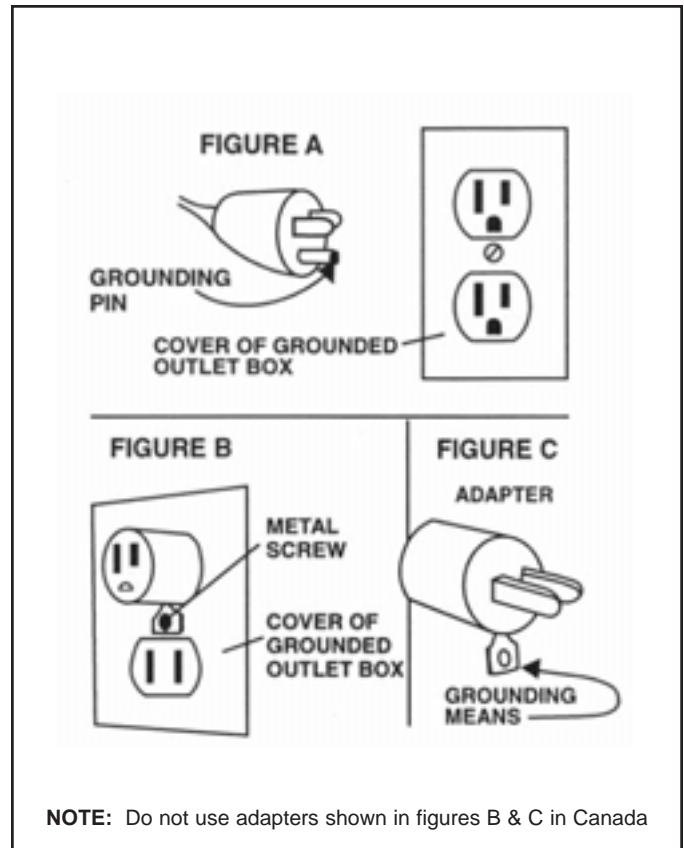
This machine is for use on a nominal 120-volt circuit, and has a grounded plug that looks like the plug illustrated in figure A. A temporary adapter that looks like the adapter illustrated in figures B and C may be used to connect this plug to a 2-pole receptacle as shown in figure B if a properly grounded outlet is not available. The temporary adapter should be used only until a properly grounded outlet (figure A) can be installed by a qualified electrician. The green colored rigid ear, lug, or the like extending from the adapter must be connected to a permanent ground such as a properly grounded outlet box cover. Whenever the adapter is used, it must be held in place by a metal screw.

NOTE: In Canada, the use of a temporary adapter is not permitted by the Canadian Electrical Code

EXTENSION CORDS

Use only three-wire 14/3 or larger gauge approved extension cords that have three-prong grounding type plugs and three-pole receptacles that accept the appliance's plug. Replace or repair any damaged cords or plugs.

When servicing, refer to authorized person only. Use only identical replacement parts.



OPERATING PROCEDURES

WARNING! For the safe operation of this machine follow the instructions given in this booklet and the training given by your supervisor . Failure to do so can result in personal injury and/or damage to machine and property!

DO NOT OPERATE MACHINE IN AN EXPLOSIVE ENVIRONMENT!

NEVER USE THIS MACHINE TO PICK UP VOLATILE OR EXPLOSIVE MATERIALS!

The model shown in this manual is intended for commercial use.

PREPARATION

To prepare the machine for operation, make sure it is of correct voltage and properly assembled. If in doubt, ask your supervisor.

- § If the vacuum is in its upright position (page 6), **raise the handle while supporting the vacuum, then slowly lower the vacuum to the floor.**
- § **Properly install the filter bag in the vacuum:** Lift the cover from the machine. The filter bag inlet is designed with a rubber gasket that fits securely over the bag adapter (page 7) in the cover. First push the filter bag inlet over the adapter on the cover. Then from the outside of the cover reach inside the adapter and push the gasket on the rest of the way. Replace the filter bag when full.

OPERATION

1. **Plug the machine's power cable into a properly grounded outlet**(see Grounding Instructions).
2. **The foot pedal should be raised to the "BRUSH" position** (page 8) for wide area vacuuming.
3. **Adjust the brush height**with the lever located on the rear of the machine near the floor (page 8).
4. **Turn the vacuum switch ON** (rocker switch on operator's right, page 7).
5. **Turn the brush switch ON** (rocker switch on operator's left, page 7) **and begin vacuuming.**

OPERATION WITH TOOLS

Three on-board tools are available for the vacuum: the dusting tool, crevice tool and turbo tool (page 6). Twenty (20) feet of hose is provided which allows access to rooms without moving the machine.

1. **The brush and vacuum switches should be turned OFF.**
2. **Depress the foot pedal to the "ACCESSORY" position.**
3. **Remove the rigid portion of the accessory hose** from its' storage area in the handle and **attach the tool of choice.**
4. **Turn the vacuum switch ON and begin.**

Note: The vacuum switch should be OFF when switching the foot pedal between the accessory and the brush positions.

MAINTENANCE

ALWAYS turn the brush and vacuum motor switches OFF and UNPLUG the power cord from the electrical outlet before doing any clean-up or repairs, and when the machine is left unattended.

AFTER EACH USE:

1. **Vacuum filter bag:** If the bag is full or damaged install a new one.
Filter Bag, 10 Pack – Part Number 440001304
Cloth Bag (optional) – Part Number 440001305
2. **Power cord and plug:** Check for cuts or nicks; if damaged, have the cord replaced at a factory authorized service center.
3. **Casters and Wheels:** Remove any strings or debris that may restrict the free movement of the casters.
4. **Tools:** Inspect the tools to ensure there is no obstruction of airflow. Remove any debris found.
5. **Brush:** Remove any strings or debris. Replace if becomes worn or damaged.

Storage: The handle may be folded down and the machine stored upright to reduce storage space requirements. Store the machine in a clean dry area.

MAINTENANCE

WEEKLY:

UNPLUG BEFORE SERVICING.

- 1. Inspect and clean the two vacuum inlet filters.**
Remove the cover from the machine. The filters are now accessible (see page 10). They are constructed of foam attached to a plastic mounting ring. Slide the filters off and clean by shaking or vacuuming. Replace if there are any rips, tears or can't be cleaned.
- 2. Inspect and clean the exhaust filter .** It is located under the handle on the top of the machine (see page 8). Remove the filter and clean by shaking, vacuuming or washing with water. Replace if there are any rips, tears or if it can't be cleaned.

VACUUM MOTOR MAINTENANCE:

Have the vacuum motors inspected annually by a factory authorized service technician. If the carbon brushes are worn, they should be replaced. This service will prolong the life of the motor.

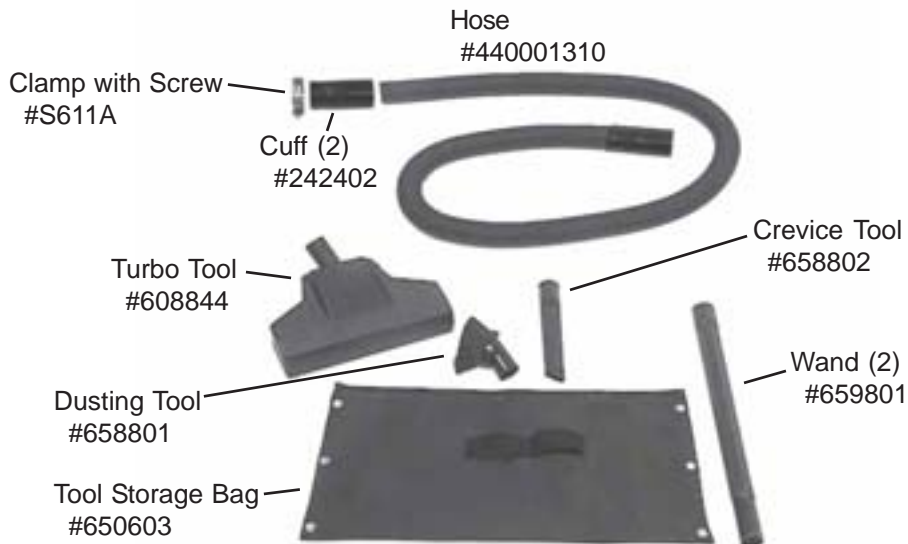
WIDE AREA VACUUM

Wand Recess Area
on Handle (Models after 11/07)

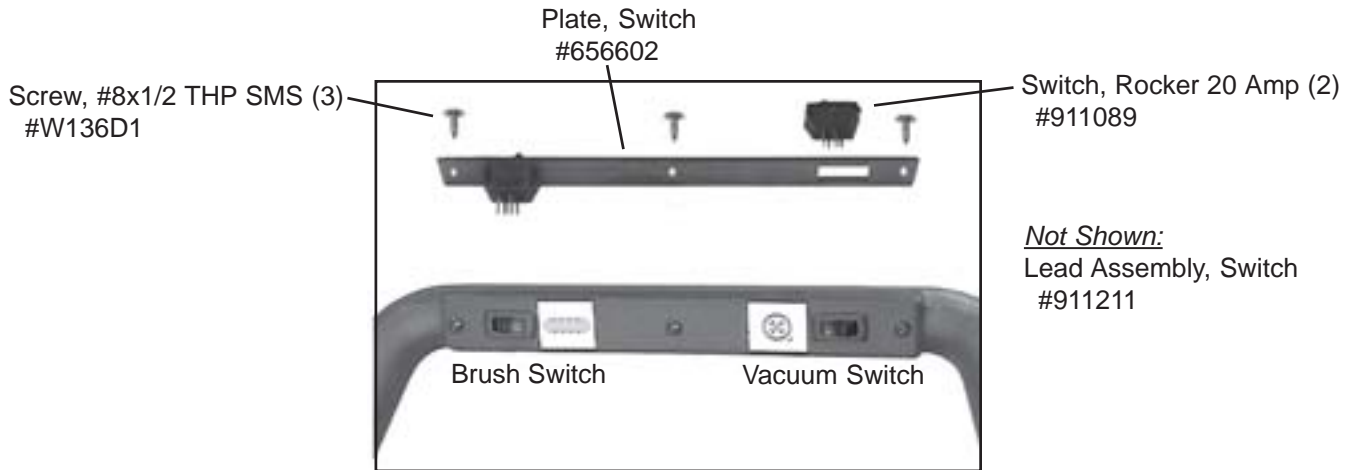


(Image Enlarged)

#201202 Bumper
#930005 Pop Rivet



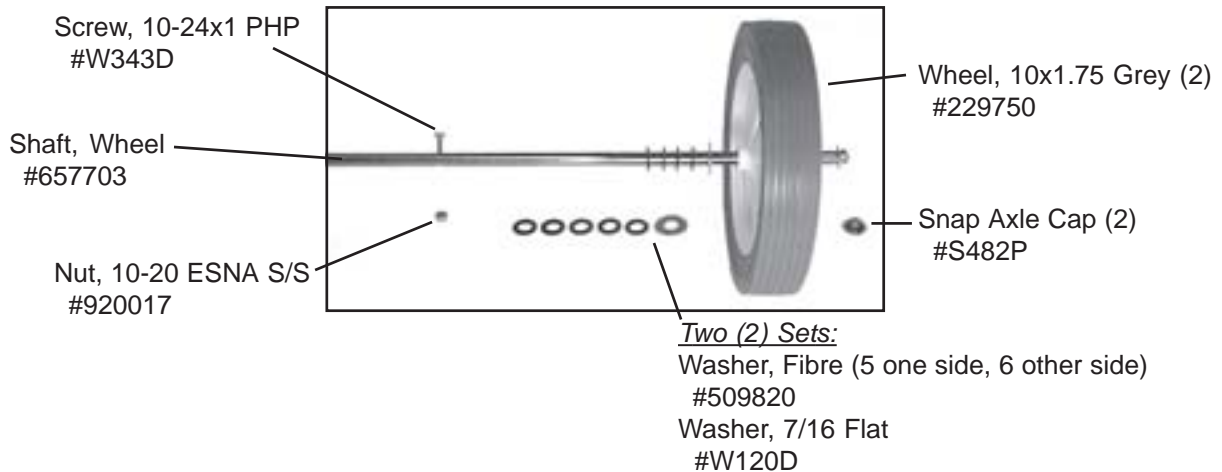
SWITCH ASSEMBLY



COVER ASSEMBLY



WHEEL ASSEMBLY



HANDLE & EXHAUST FILTER COMPONENTS

Not Shown (at top of handle):

Clamp #1394
Spring #228331
Screw #W343D

Wiring Harness #911210
Connectors (5) #911179

Jacknut #920026
Clamp, Cable #612001
Screw #W343D

Handle #653901



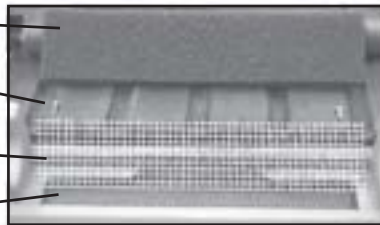
Two (2) Sets:
Bracket, Handle #657201
Screw (2) #W516D

Exhaust Filter #440001307

Label, Warning #615102

Cord Assembly, 75 Feet #440001309
Strain Relief #508510
Nut, 1/2 Pipe Lock #920619

Exhaust Filter #440001307
Screw, #8x1/2 THP (4) #W136D
Screen, Filter #658501
Sound Deadening #658504



BRUSH ADJUSTMENT & FOOT PEDAL

Brush Height Adjustment Assembly (detail on page 11) #650903

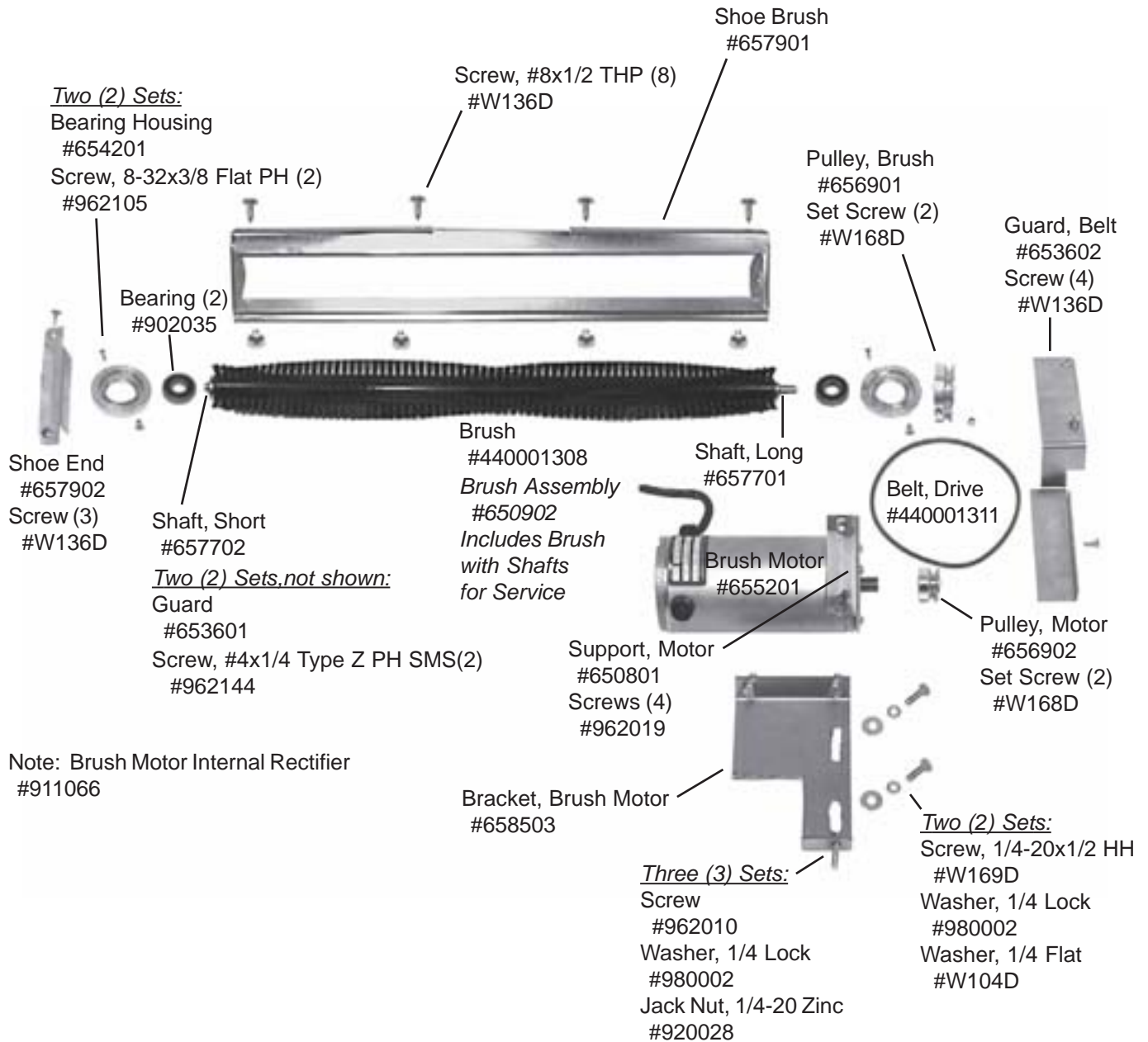
Label, Brush Adjustment #655108



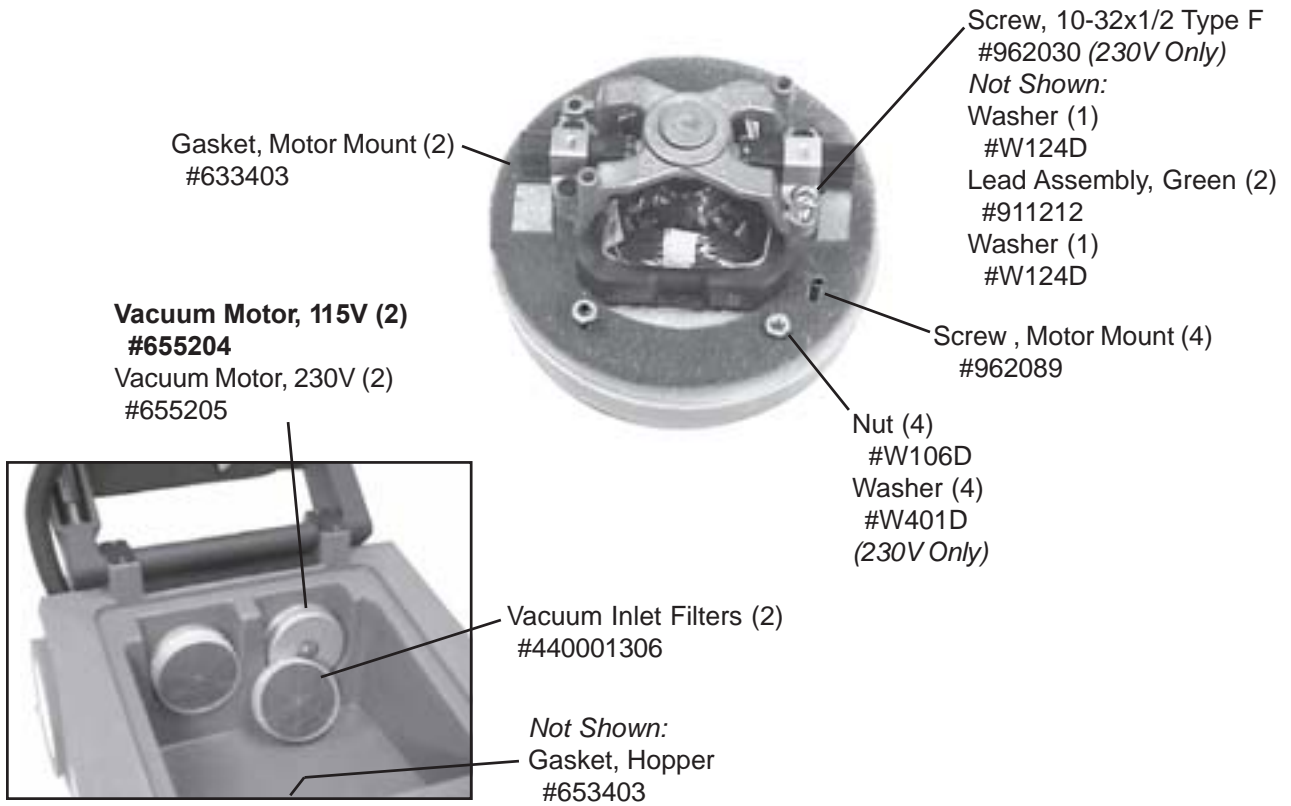
Brush/Accessory Foot Pedal #655101

Label, Brush Accessory #655109

BRUSH ASSEMBLY



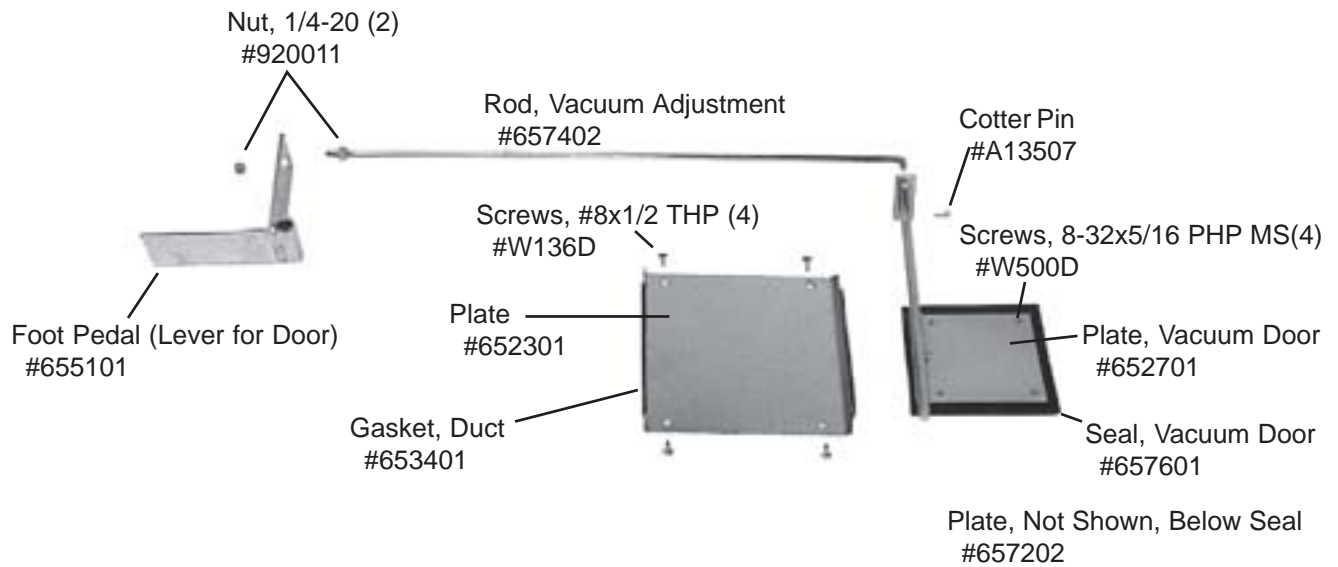
VACUUM MOTOR & FILTERS



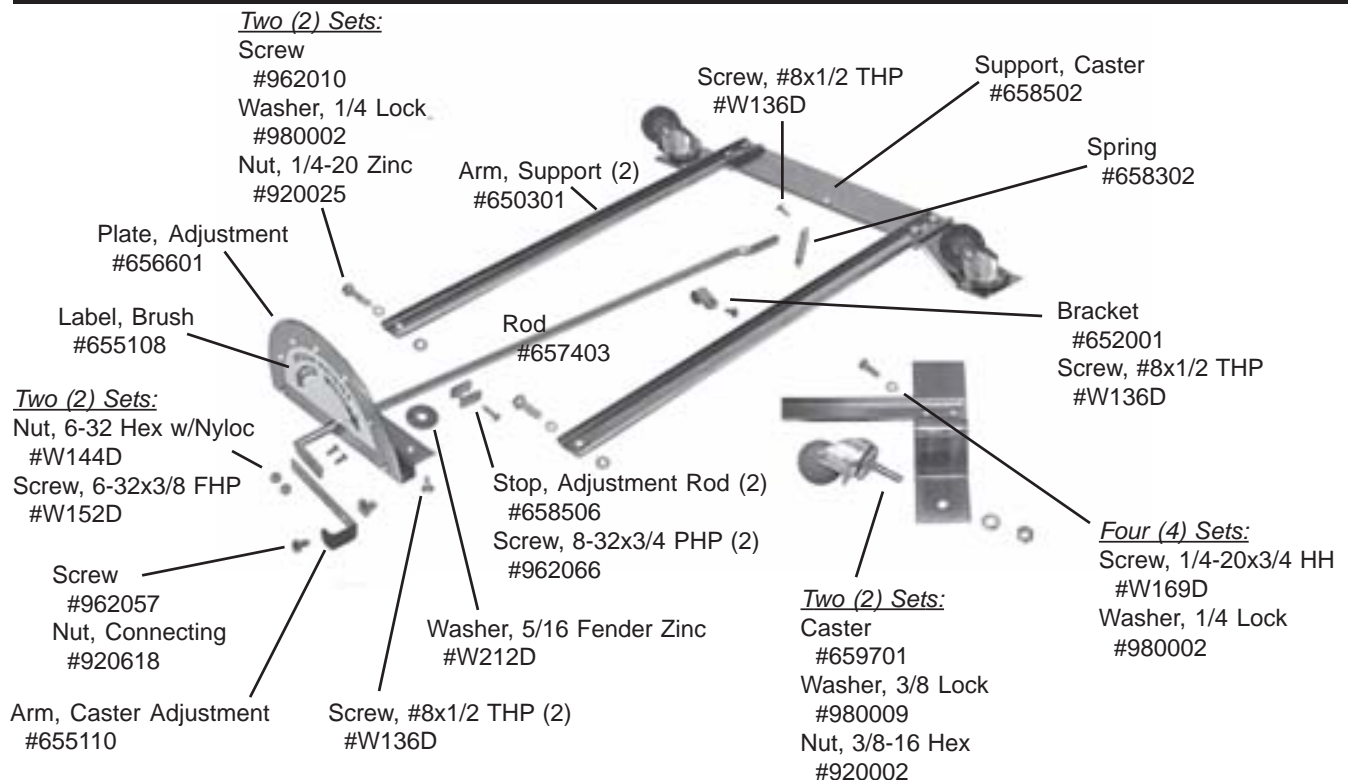
BOTTOM VIEW



FOOT PEDAL & VACUUM ADJUSTMENT ASSEMBLY



BRUSH ADJUSTMENT ASSEMBLY



WARRANTY POLICY

GROUND COMMAND WIDE AREA VACUUM LIMITED WARRANTY

The **Hoover** Wide Area Vacuum has been manufactured, tested and inspected in accordance with specific engineering requirements and is **WARRANTED** to be free from defects in workmanship and materials as follows:

Five (5) years parts, one (1) year labor – Rotational molded components.
One (1) year parts & labor – All other components unless excluded below.

This warranty extends to the original user/purchaser and only when used, operated and maintained in accordance with **Hoover** Operating and Maintenance instructions.

This warranty does not apply to the following wear parts and accessories of the machine including:

<u>Part Number</u>	<u>Part Name</u>
440001304	Paper Bag Filters
440001305	Cloth Filter Bags
440001306	Filter
440001307	Exhaust Filter
440001308	Brush
440001309	Cord Assembly
440001310	Hose Assembly
440001311	Belt

Nor does it apply to damage or failure caused by improper use, abuse or neglect. Warranty credit or replacement of return parts including motors, pumps, etc., is subject to incoming inspection of those items.

To secure repair under this warranty, the following procedure should be taken:

- The inoperative machine or warranted parts must be delivered to the authorized dealer with shipping and delivery charges prepaid. If unable to locate the Dealer, you may contact **Hoover** at the address listed herein for the location of the nearest repair center or agent or for other instructions pertaining to your warranty difficulty.
- Upon compliance with the above warranty procedure, all warranted repairs would be completed at no additional charge or cost to the user.
- Only **Hoover** or its authorized dealers and agents may make no charge warranty repairs on this product. All others do so at their own risk.

This warranty limits **Hoover** liability to the repair of the product and/or warranted parts replacement and does not include incidental or consequential damages arising from the use of a **Hoover** machine whether defective or not.

This warranty is in lieu of all other expressed or implied warranties and is extended to the original purchaser/user.



7500 Cochran Road • Glenwillow, OH 44139

Ph: (888) 321-1143

www.hoover.com