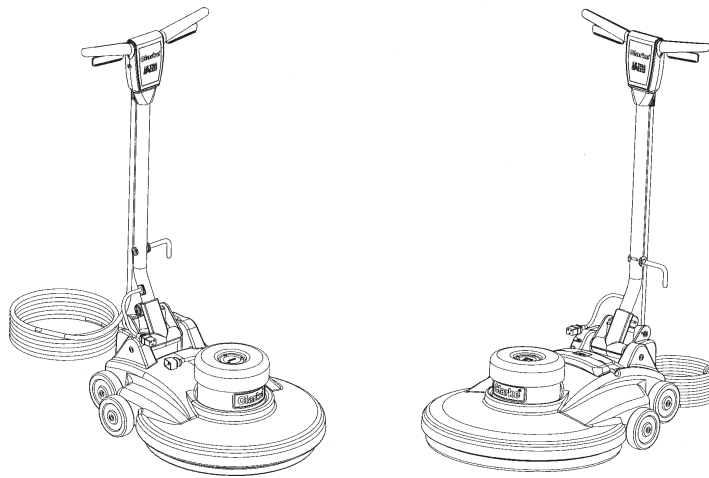


Clarke®

Ultra Speed Burnisher 120V & 240V with NEMA Plug



Operator's Manual Manual del operador Manuel de l'utilisateur



READ THIS BOOK
LEA ESTE MANUAL
LISEZ CE MANUEL

EN

English (2 - 12)

ES

Español (14 - 24)

FR

Français (26 - 36)

This book has important information for the use and safe operation of this machine. Failure to read this book prior to operating or attempting any service or maintenance procedure to your Clarke American Sanders machine could result in injury to you or to other personnel; damage to the machine or to other property could occur as well. You must have training in the operation of this machine before using it. If your operator(s) cannot read this manual, have it explained fully before attempting to operate this machine.

All directions given in this book are as seen from the operator's position at the rear of the machine.

For new books write to: Clarke®, 2100 Highway 265, Springdale, Arkansas 72764

Table of Contents

Operator Safety Information 3

Features and Specifications 4

Pad Selection Chart 4

120 Volt Instructions for Electrical Connection 5

240 Volt Instructions for Electrical Connection 6

How to Prepare Machine for Operation 7

How to Operate the Machine 8

How to Correct Problems in the Machine 10

Maintenance 11

Section II - Parts and Service Manual

Assembly Drawing 38












 Assembly Parts List 39

Handle Assembly, Parts List and Schematic 40






Motor Drawing, Parts List and Schematic 41

OPERATOR SAFETY INSTRUCTIONS

DANGER means:	Severe bodily injury or death can occur to you or other personnel if the DANGER statements found on this machine or in this Owner's Manual are ignored or are not adhered to. Read and observe all DANGER statements found in this Owner's Manual and on your machine.
WARNING means:	Injury can occur to you or to other personnel if the WARNING statements found on your machine or in this Owner's Manual are ignored or are not adhered to. Read and observe all WARNING statements found in this Owner's Manual and on your machine.
CAUTION means:	Damage can occur to the machine or to other property if the CAUTION statements found on your machine or in this Owner's Manual are ignored or are not adhered to. Read and observe all CAUTION statements found in this Owner's Manual and on your machine.


-  **DANGER:** Failure to read the Owner's Manual prior to operating or attempting any service or maintenance procedure to your machine could result in injury to you or to other personnel; damage to the machine or to other property could occur as well. You must have training in the operation of this machine before using it. **If you or your operator(s) cannot read English, have this manual explained fully before attempting to operate this machine.**
-  **DANGER:** To reduce the risk of fire, use only commercially available floor cleaners and waxes intended for machine application.
-  **DANGER:** Machines can cause an explosion when operated near flammable materials and vapors. Do not use this machine with or near fuels, grain dust, solvents, thinners, or other flammable materials. Precautions should be taken during the use of this machine to prevent formation of a combustible mixture of flyings and air. Use this machine only in a well ventilated area.
-  **DANGER:** Operating a machine that is not completely or fully assembled could result in injury or property damage. Do not operate this machine until it is completely assembled. Inspect the machine carefully before operation.
-  **DANGER:** Electrocutation could occur if maintenance and repairs are performed on a unit that is not disconnected from the power source. Disconnect the power supply before attempting any maintenance or service. Always remove the electrical plug from the electrical outlet before changing the pad and before leaving the machine.
-  **DANGER:** Using a machine with a damaged power cord could result in an electrocution. Do not use the machine if the power cord is damaged. Do not use the electrical cord to move the machine.
-  **WARNING:** Maintenance and repairs performed by unauthorized personnel could result in damage or injury. Maintenance and repairs must be performed by authorized personnel only. Keep all fasteners tight. Keep adjustments according to specifications.
-  **WARNING:** Electrical components of this machine can "short-out" if exposed to water or moisture. Keep the electrical components of the machine dry. Wipe the machine down after each use. For storage, keep the machine in a dry building.
-  **WARNING:** Always use a three-wire electrical system connected to the electrical ground. For maximum protection against electric shock, use a circuit that is protected by a ground fault interrupter. Consult your electrical contractor.
-  **WARNING:** To prevent damage to the power cord, do not let the pad, pad driver or wheels touch the power cord when the machine is running. Always lift the cord over the machine. Do not pull the power cord to move the machine.
-  **WARNING:** Any alterations or modifications of this machine could result in damage to the machine or injury to the operator or other bystanders. Alterations or modifications not authorized by the manufacturer voids any and all warranties and liabilities.

OPERATOR SAFETY INSTRUCTIONS (cont.)

-  **WARNING:** Operating a machine without observing all labels and instructional information could result in injury or damage. Read all machine labels before attempting to operate. Make sure all of the labels and instructional information are attached or fastened to the machine. Get replacement labels and decals from your authorized distributor.
-  **WARNING:** Use of this machine as a step or furniture could result in injury or damage. Do not use this machine as a step or furniture. Do not ride on this machine.
-  **WARNING:** To avoid injury keep hands, feet and loose clothing away from all moving parts of this machine.
-  **CAUTION:** The machine is heavy. Get assistance before attempting to transport or move it.
-  **CAUTION:** To prevent overloading motor, do not use burnisher for wet scrubbing. There is no skirt on burnisher to contain water. Water could splatter.

FEATURES AND SPECIFICATIONS

The direct drive electric burnishers are floor polishing machines. They are operated by moving them forward and backward across the floor. **Note: Do not use the machine for wet scrubbing.**

-  **CAUTION:** To prevent serious damage to the floor surface, make sure the machine is always moving forward or backward when the pad driver is in contact with the floor.

Specifications:

Model	US 1500		US 1500DC		US 2000DC	
Part Number	01530A	01531A	01540A	01541A	01550A	01551A
Voltage (V)	120	240	120	240	120	240
Current (A)	15	8	15	8	15	8
Frequency (Hz)	50/60		50/60		50/60	
Pad Driver (in.)	20		20		20	
Burnishing Swath (in.)	20		20		20	
Pad Speed (rpm)	1,500		1,500		2,000	
Motor Power (hp)	1.5		1.5		1.5	
Power Cable (feet)	50		75		75	
Weight (pounds)	70		79		79	

20" (505mm) Burnishing Pad Selection Chart

Part No.	Description	Application	Use	RPM	Color	Finish
976240	UHS Aqua Buffer	Burnish	Dry	1500-3000	Aqua	Soft finish/low traffic Wet-look soft finish
976238	SHS Buffer	Buff	Dry/Spray Spray	600-1500	Beige	Glossy finish

120 VOLT MACHINES

Instructions for connection to the power supply and the electrical ground.

This product must be grounded. If the installation should breakdown, grounding provides a path of low resistance for electric current to reduce the risk of electrical shock. This product is equipped with a cord having an equipment-grounding conductor and grounding plug. The plug must be inserted into an appropriate outlet that is properly installed and grounded in accordance with all local codes and ordinances.

- ⚠ WARNING:** Improper connection of the equipment-grounding conductor can result in a risk of electric shock. Check with a qualified electrician or service person if you are in doubt as to whether the outlet is properly grounded. Do not modify the plug provided with the product. If it will not fit the outlet, have a proper outlet installed by a qualified electrician.

This product is for use on a nominal 120 volt circuit and has a grounding attachment plug that looks like the plug illustrated in Figure 1. Make sure that the product is connected to an outlet having the same configuration as the plug. No adaptor should be used with this product.

- ⚠ WARNING:** To prevent possible electric shock, protect the machine from rain. Keep the machine in a dry building.
- ⚠ WARNING:** To prevent possible electric shock, always use a 3-wire electrical system connected to the electrical ground. For maximum protection against electrical shock, use a circuit that is protected by a ground fault circuit interrupter. Consult your electrical contractor.
- ⚠ WARNING:** Do not cut, remove or break the ground pin. If the plug does not fit your outlet, consult your electrical contractor.
- ⚠ WARNING:** Have worn, cut or damaged cords replaced by an authorized service person.

EXTENSION CORDS

Use only an approved extension cord with three conductors, a plug with three terminals, and a connector body with three holes. The machine has a power cord with wire size 14 AWG.

- ⚠ WARNING:** If you use an extension cord, use an extension cord with minimum wire size 12 AWG. Do not use an extension cord longer than 50 feet. Do not join two extension cords.

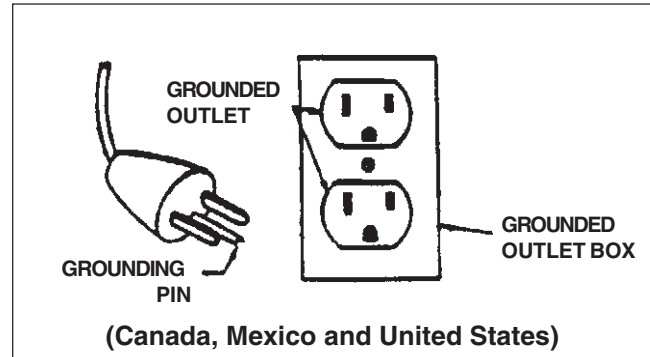



Figure 1


240 VOLT MACHINES


Instructions for connection to the power supply and the electrical ground.


This product must be grounded. If the installation should breakdown, grounding provides a path of low resistance for electric current to reduce the risk of electrical shock. This product is equipped with a cord having an equipment-grounding conductor and grounding plug. The plug must be inserted into an appropriate outlet that is properly installed and grounded in accordance with all local codes and ordinances.

 **WARNING: Improper connection of the equipment-grounding conductor can result in a risk of electric shock. Check with a qualified electrician or service person if you are in doubt as to whether the outlet is properly grounded.**

This product is for use on a nominal 240 volt circuit. The plug on this product must be replaced with a three contact grounding style plug, having a configuration appropriate for connection to the local power supply. The new plug must be installed by a qualified electrician.

 **WARNING: To prevent possible electric shock, protect the machine from rain. Keep the machine in a dry building.**


 **WARNING: To prevent possible electric shock, always use a 3-wire electrical system connected to the electrical ground. For maximum protection against electrical shock, use a circuit that is protected by a ground fault circuit interrupter. Consult your electrical contractor.**

 **WARNING: Do not cut, remove or break the ground pin. If the plug does not fit your outlet, consult your electrical contractor.**

 **WARNING: Have worn, cut or damaged cords replaced by an authorized service person.**

EXTENSION CORDS

Use only an approved extension cord with three conductors, a plug with three terminals, and a connector body with three holes. The machine has a power cord with wire size 14 AWG.

 **WARNING: If you use an extension cord, use an extension cord with minimum wire size 12 AWG. Do not use an extension cord longer than 50 feet. Do not join two extension cords.**

HOW TO PREPARE THE MACHINE FOR OPERATION

How To Install the Pads

⚠ WARNING: Always remove the electrical plug from the electrical outlet before installing or changing the pad.

The pad driver assembly is on the bottom underside of the machine. The pad holder holds the pad in position. The machine has a screw-on pad holder. To install the pad, follow this procedure:

1. Lock the handle in the vertical position.
2. Position the handle on the floor, so that the machine is laying on its back. See Figure 2.
3. Unscrew the pad holder (A).
4. Carefully center the pad on the pad driver (B). Failure to center may cause vibration and operator fatigue.
5. Screw the pad holder (A) into position.
6. Return the machine to an upright position.

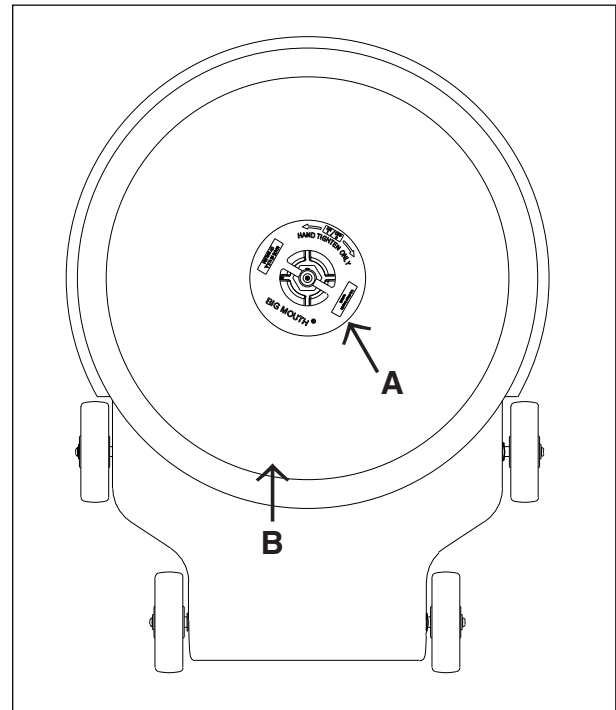


Figure 2

HOW TO OPERATE THE MACHINE

WARNING: Machines can ignite flammable materials and vapors. Do not use with or near flammables, such as: gasoline, grain dust, solvents and thinners.

CAUTION: Allowing the machine to run without moving forward or backward can cause serious damage to the floor surface. Make sure the machine is always moving when the pad is rotating.

NOTE: You must have training in the operation of this machine before you use it.

How To Start/Stop The Machine

WARNING: Never start a burnisher when the handle is in the vertical position.

The switch to start and stop the machine is activated by the interlock (1) and the levers (2) under the handle grips. See Figure 3.

To start the machine, follow this procedure:

1. Depress the handle release lever with your foot and lower the handle.

NOTE: Make sure you hold the handle with both hands.

2. Continue to move the handle to the rear until the handle is in the operating position. The handle moves freely up and down when it is in the operating position.
3. Push the interlock switch (1), and apply pressure to one of the levers (2). See Figure 3.
4. Push the machine forward on the floor. Move the machine slow on dirty surfaces. Move the machine faster on cleaner surfaces.

How To Change the Dust Collection Bag

The dust collection bag (see figure 4) should be replaced after every 10 hours of use. Tip the machine back onto its handle. Squeeze in on the sides of the bag cover and remove it from the machine. Remove the dust bag and discard. Push in on the sides of the new bag to pop-it-open and install it by pushing it down onto the tubes protruding from the base. Re-install the cover and tip the machine back upright.

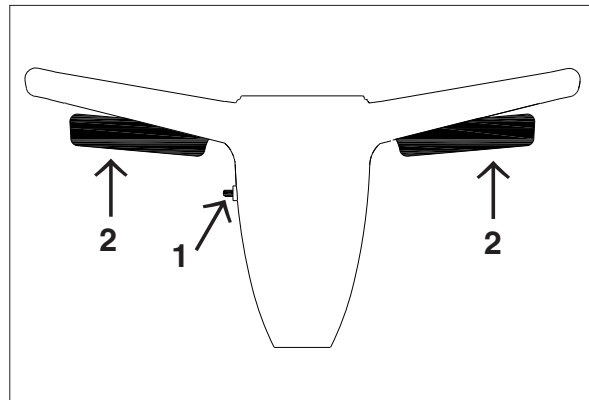


Figure 3

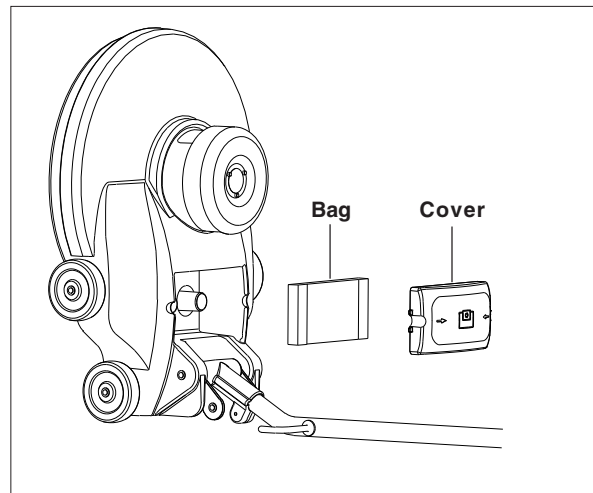


Figure 4

How to Put the Machine in Storage

⚠ WARNING: Always remove the electrical plug from the electrical outlet before installing or changing the bag.

To put the machine in storage, follow this procedure:

1. Put the handle in the vertical position.
2. Disconnect the power cord from the electrical outlet.
3. Pull the handle to the floor so that the pad is exposed.
4. Check the pad.
5. Remove or replace the pad if worn or dirty.
6. Put the machine in the verticle position.
7. Wind the power cord around the handle and cord wrap.
8. Depress the handle release lever and fold the handle horizontally across the motor.
9. Tilt the machine so that it sits on its rear wheels and link arms. See figure 5.

NOTE: Do not store the machine resting on the pad driver, the pad driver will warp and cause vibration.

Inspection and Repairs

Take the machine to the nearest Clarke authorized repair location once a year for the maintenance inspections.

To make any repairs, take the machine to the nearest Clarke authorized repair location.

⚠ WARNING: Maintenance and repairs must be done by authorized personnel only

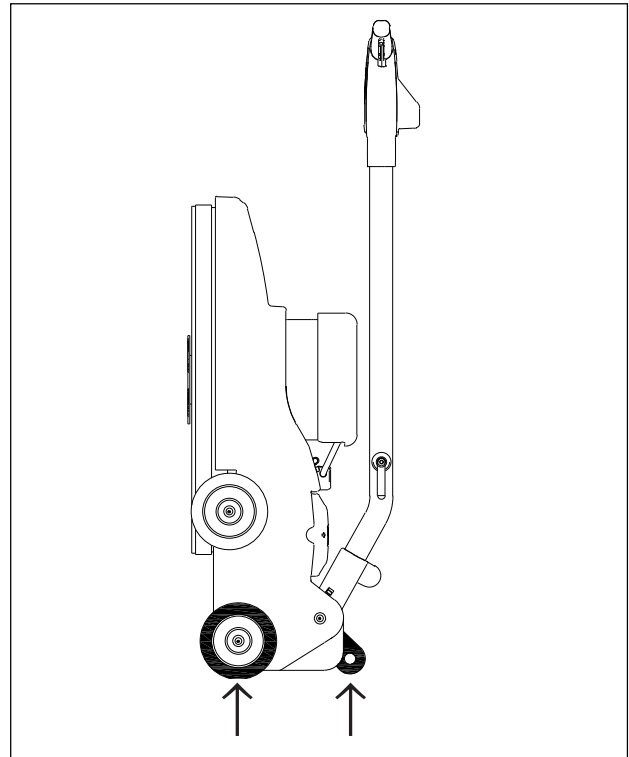


Figure 5

HOW TO CORRECT PROBLEMS IN THE MACHINE

Problem	Cause	Action
The machine will not run.	The machine may not have any power.	Make sure the machine is connected to the correct voltage and frequency and that all connections are tight or, Make sure the machine is plugged in.
	The power cord may be damaged.	Contact an authorized service person
	The pad is worn or dirty.	Clean the pad. If the pad is worn, replace it.
The machine will not start .	The machine may have no power.	Make sure the machine is connected to the correct voltage and frequency and that all connections are tight or, Make sure the machine is plugged in.
The brush warning light illuminates.	The carbon brushes need replacing.	Contact an authorized service person.
The machine is vibrating excessively.	The pad is not installed correctly.	Remove the pad. Install the pad correctly. Center the pad properly on pad holder periphery.
	The pad is worn or damaged.	Install a new pad.
	The pad is defective.	Inspect and install a new pad.
	Pad not rated for RPM of high speed burnisher.	Use proper pad.
	Defective pad driver.	Remove pad. Hold machine off of floor with handle and start machine. If machine vibrates, replace pad driver.

MAINTENANCE



WARNING: Maintenance and repairs must be done by authorized personnel only



WARNING: To prevent electric shock, always remove the electrical plug from the electrical outlet before doing any repairs or maintenance to the machine.



WARNING: Do not operate this machine unless it is completely assembled.



WARNING: Keep all fasteners tight. Keep adjustments according to specifications.

Maintenance of the Motor

This machine has a DC permanent magnet motor that uses a commutator, carbon brushes, and a rectifier.

Keep the machine clean. It will need fewer repairs and have a longer life. Remove or blow dust from the motor frequently.

The Indicator Light

This machine has an indicator light that illuminates when the brushes are worn out. The commutator must be inspected each time the brushes are changed. After the brushes have been replaced two times, have the commutator made new. Have an authorized service person make the repairs.

How to Check the Commutator and the Carbon Brushes



WARNING: Electrical inspections must be made by a person authorized to do maintenance. Electrical repairs must be made by a person authorized to make electrical repairs.

To check the commutator and the carbon brushes, follow this procedure:

1. Remove the screws and covers.

2. Pull back each spring and pull the brush out of the holder. Keep the lead wire connected.
3. Turn the pad driver and look at the part of the commutator that the brushes touch.
4. Take the machine to a Clarke authorized repair location if you see any of the following conditions:
 - 1.) Small holes in the surface of the commutator. See Figure 6 "A".
 - 2.) Uneven color. Look for an even dark brown color. Clean areas or very dark areas indicate a problem. See Figure 6 "B".
 - 3.) High mica. The mica insulation must be lower than the commutator bars. See Figure 6 "C".
6. Replace all four carbon brushes if any carbon brush is shorter than 7/16 inch. To replace the carbon brushes in the motor, follow this procedure:
 - 1.) Remove the screws. Replace the brush and lead. Install the screw.
 - 2.) Use a hook to pull the spring out of the way. Install the brush into the slot. Put the spring into position on the end of the brush. The lead must not prevent free movement of the brush in the holder.
 - 3.) Install the covers and screws.

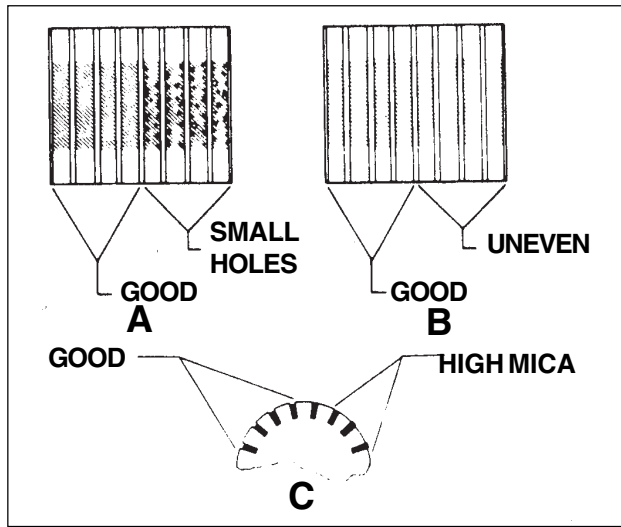


Figure 6

Rectifier

If the machine trips circuit breakers, blows fuses or runs at half speed, the rectifier may be defective. Take the machine to an authorized repair location to have a Clarke authorized repair person replace the rectifier.

LEA ESTE MANUAL

Este manual contiene información importante acerca del uso y la seguridad de la máquina. Si no lee el manual antes de utilizar su máquina Clarke o de intentar realizar los procedimientos de reparación o mantenimiento de la misma, usted o el resto del personal podrían sufrir lesiones; asimismo, podrían producirse daños a la máquina o a otras propiedades. Antes de utilizar la máquina, es necesario recibir la capacitación adecuada en la operación de la misma. Si el operador de la máquina no sabe leer en español, explíquelo el manual exhaustivamente antes de que intente utilizarla.

Todas las indicaciones incluidas en este manual se ofrecen desde la posición del operador en la parte posterior de la máquina.

Si desea conseguir nuevos manuales, escriba a: Clarke®, 2100 Highway 265, Springdale, Arkansas 72764.

Indice

Instrucciones de seguridad para el operador 15

Presentación de la máquina 16

Máquinas 120V - Instrucciones para la conexión eléctrica 17

Máquinas 240V - Instrucciones para la conexión eléctrica 18

Preparación de la máquina para trabajar 19

Funcionamiento de la máquina 20











Posibles problemas y soluciones 22







Mantenimiento 23

SECCIÓN II Piezas y libro de servicio

INSTRUCCIONES PARA LA SEGURIDAD DEL OPERADOR


- ¡PELIGRO!** : Si no sigue la indicación **PELIGRO**, se pueden causar lesiones graves, incluso mortales. Lea y siga todas las indicaciones **PELIGRO** que se encuentran en el libro y en la máquina.
- ¡AVISO!** : Si no sigue la indicación **AVISO**, se pueden causar lesiones sea al operador sea a otro personal y/o daños materiales. Lea y siga todas las indicaciones **AVISO** que se encuentran en el libro y en la máquina.
- ¡CUIDADO!** : Si no sigue la indicación **CUIDADO**, se puede estropear la máquina o causar daños materiales. Lea y siga las indicaciones **CUIDADO** que se encuentran en el libro y en la máquina.

-  **¡CUIDADO!**: Siempre lea este libro de instrucciones antes de arrancar la máquina o hacer un mantenimiento. A falta de esta precaución, corre el peligro de herirse o causar lesiones a colegas ; podría Ud. también causar daños a la máquina o a su lugar de trabajo. Se debe aprender el manejo de esta máquina antes de usarla. Si Usted (o su plantilla) no conoce el español, se ruega dejarse explicar todo el libro antes de usar la máquina.
-  **¡CUIDADO!**: Para evitar un peligro de incendio, use sólo productos de limpieza y cera para el suelo especialmente concebidos para máquinas.
-  **¡CUIDADO!**: Peligro de explosión cuando la máquina se opera cerca de materiales o vapores inflamables. No use nunca la máquina con o cerca de combustibles, polvo de granos, disolventes, diluyentes u otros materiales inflamables. Use la máquina sólo en locales perfectamente ventilados para evitar la formación de una mezcla inflamable de polvo, algodón y aire.
-  **¡CUIDADO!**: Si usa una máquina antes de que esté completamente montada, corre el peligro de herirse o causar daños materiales. No opere la máquina antes de que esté completamente montada. Compruebe cuidadosamente el estado de la máquina antes de cada utilización.
-  **¡CUIDADO!**: Si efectúa un mantenimiento o una reparación sin desconectar la máquina, hay un riesgo de electrocución. Desconecte el enchufe de la toma de red antes de empezar el mantenimiento o la reparación. Siempre desconecte el enchufe de la toma de la red antes de cambiar el disco y si deja la máquina sin vigilarla.
-  **¡CUIDADO!**: Si opera la máquina con un cable de alimentación estropeado, se puede causar una electrocución. No use nunca la máquina si el cable de alimentación está estropeado. No tire de la máquina usando el cable eléctrico.
-  **AVISO:** Cualquier modificación o cambio de la máquina o parte de ella puede causar averías o daños a la máquina o herir al operador u otras personas que se encuentran cerca. Se anulará toda garantía en caso de modificaciones y cambios no autorizados expresamente por el fabricante. En este caso, se descargará por completo la responsabilidad del fabricante.
-  **AVISO:** Una reparación o un mantenimiento efectuado por personas no cualificadas puede causar lesiones y/o daños materiales. Todas las operaciones de mantenimiento o de reparación de la máquina deben ser efectuadas por técnicos cualificados. Compruebe que las fijaciones están correctamente apretadas. Haga reglajes conforme a las indicaciones dadas en el libro.
-  **AVISO:** Hay un riesgo de cortocircuito si los componentes eléctricos de una máquina están expuestos a la humedad o son mojados. Procure que los componentes eléctricos sean siempre secos. Seque cuidadosamente la máquina después de cada utilización. Guarde la máquina en un local seco.
-  **AVISO:** Use siempre un cable con tres conductores puestos a tierra. Para una protección óptima, conecte la máquina con una toma de red que tiene un diferencial. Si tiene alguna duda, sírvase acudir a un eléctrico cualificado.

-  **AVISO:** Para evitar daños al cable de alimentación, procure que el disco, el portadisco o las ruedas no toquen el cable, cuando la máquina funciona. Levante siempre el cable por encima de la máquina. No tire de la máquina para acercarla a la máquina.
-  **AVISO:** Si usa la máquina sin respetar todas las instrucciones escritas en los adhesivos y los carteles, corre el peligro de causar lesiones y daños materiales. Lea todas las indicaciones escritas en la máquina antes de la primera utilización. Compruebe que todos los adhesivos y las instrucciones estén colocados en los sitios previstos. Si es preciso, haga un nuevo pedido a su distribuidor Clarke.
-  **AVISO:** No use la máquina como escabel o mueble. Corre el peligro de causar lesiones o daños materiales. No use la máquina como medio de transporte.
-  **AVISO:** Para evitar herirse, sírvase mantener una distancia de seguridad suficiente entre las partes móviles de la máquina y sus manos o sus pies. No lleve ropas holgadas.
-  **CUIDADO:** Esta máquina pesa. Transpórtela o desplácela con ayuda de otra persona.
-  **CUIDADO:** Para evitar sobrecargar el motor, no use la pulidora para fregar con agua. La pulidora no tiene borde para contener el agua. Hay un riesgo de proyección.

PRESENTACION DE LA MAQUINA

Las pulidoras eléctricas con arrastre directo se concibieron para pulir los suelos. Esta operación se efectúa por movimientos de delante hacia atrás. **Nota: no use la máquina para fregar con agua.**

-  **CUIDADO:** Para evitar causar daños al suelo, no deje nunca la máquina funcionando largo rato en el mismo sitio. Cuando el disco está en contacto con el suelo, la máquina debe estar constantemente en movimiento.

Características:

Modelo	US 1500		US 1500DC		US 2000DC	
Número de pieza	01530A	01531A	01540A	01541A	01550A	01551A
Tensión (V)	120	240	120	240	120	240
Corriente (A)	15	8	15	8	15	8
Frecuencia (Hz)	50/60		50/60		50/60	
Portadisco (cm)	51		51		51	
Superficie pulida (cm)	51		51		51	
Velocidad de rotación del disco (t/min)	1,500		1,500		2,000	
Motor (Potencia)	1.1 kW		1.1 kW		1.1 kW	
Cable de alimentación (m)	15		23		23	
Peso (kg)	32		36		36	

Tabla con la gama de discos de pulido (505 mm)

N de pieza	Descripción	Aplicación	Utilización	Revoluciones/min.	Color	Acabado
976240	UHS Aqua Buffer	Pulido	en seco	1500-3000	aqua	semimate/paso leve reflejante semimate
976238	SHS Buffer	Taponamiento	en seco/ pulverización	600-1500	beige	brillante

MAQUINAS 120V. INSTRUCCIONES PARA LA CONEXION ELECTRICA

La máquina debe ser puesta a tierra. En caso de producirse fallas en el aislamiento, la puesta a tierra es una camino de baja resistencia para la corriente eléctrica y reduce el riesgo de choque eléctrico. La máquina tiene un cable de alimentación con tres conductores y un enchufe con tres clavijas de las cuales una está puesta a tierra. El enchufe sólo puede ser conectado con una caja de enchufe reglamentaria, puesta a tierra con todas las reglas del arte y conforme a los reglamentos locales.

⚠ AVISO: Una conexión incorrecta del conductor de puesta a tierra puede causar un choque eléctrico. Acuda a un técnico autorizado o a un electricista si tiene alguna duda acerca de la puesta a tierra correcta de la toma de red. Nunca modifique el enchufe suministrado con la máquina. Si no encaja el enchufe en la toma de red, haga instalar una caja de enchufe adecuada por un electricista autorizado.

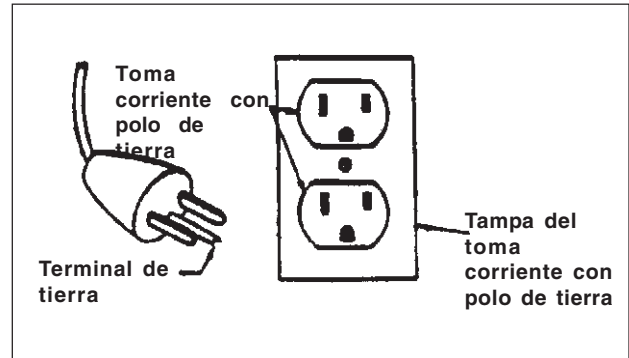


Figure 1

Esta máquina debe funcionar en un circuito de potencia nominal de 120 V. Tiene un enchufe con una clavija de puesta a tierra semejante al enchufe reproducido en la figura 1. Compruebe que la máquina esté conectada con una caja de enchufe que tiene la configuración adecuada. No utilice ningún adaptador.

- ⚠ AVISO:** Para evitar el peligro de choque eléctrico, proteja la máquina de la lluvia. Guárdela en un local seco.
- ⚠ AVISO:** Para evitar el peligro de electrocución, conecte la máquina con una red que tiene tres conductores, está puesta a tierra y tiene un diferencial. Si tiene alguna duda, diríjase a un electricista autorizado.
- ⚠ AVISO:** Nunca rompa, quite o corte la clavija de puesta a tierra. Si el enchufe no corresponde a la toma de corriente, consulte a su electricista.
- ⚠ AVISO:** Si el cable de alimentación está desgastado, dañado o cortado, hágalo cambiar inmediatamente por un técnico autorizado.


AÑADIDOS

Use sólo un añadido con tres conductores, de los cuales uno está puesto a tierra, y con un enchufe con tres clavijas y un conector con tres aberturas. La máquina tiene un cable de alimentación de 4 mm² de sección.


- ⚠ ¡ AVISO !:** Use un añadido de cable de 6 mm² de sección. No use ningún añadido de más de 15 metros de largo. Nunca conecte dos añadidos.


MAQUINAS 240 V. INSTRUCCIONES PARA LA CONEXIÓN ELECTRICA


La máquina debe ser puesta a tierra. En caso de producirse fallas en el aislamiento, la puesta a tierra es una camino de baja resistencia para la corriente eléctrica y reduce el riesgo de choque eléctrico. La máquina tiene un cable de alimentación con tres conductores y un enchufe con tres clavijas de las cuales una está puesta a tierra. El enchufe sólo puede ser conectado con una caja de enchufe reglamentaria, puesta a tierra con todas las reglas del arte y conforme a los reglamentos locales.


 **AVISO:** Una conexión incorrecta del conector de puesta a tierra puede causar un choque eléctrico. Acuda a un técnico autorizado o a un electricista si tiene alguna duda acerca de la puesta a tierra correcta de la toma de red.

Esta máquina debe funcionar en un circuito de 240 V. El enchufe de este producto debe ser reemplazado por un enchufe de tres clavijas con puesta a tierra con la configuración adecuada para conexión a la red eléctrica local. El nuevo enchufe debe ser instalado por un electricista calificado.

 **AVISO:** Para evitar el peligro de choque eléctrico, proteja la máquina de la lluvia. Guárdela en un local seco.


 **AVISO:** Para evitar el peligro de electrocución, conecte la máquina con una red que tiene tres conductores, está puesta a tierra y tiene un diferencial. Si tiene alguna duda, diríjase a un electricista autorizado.

 **AVISO:** Nunca rompa, quite o corte la clavija de puesta a tierra. Si el enchufe no corresponde a la toma de corriente, consulte a su electricista.

 **AVISO:** Si el cable de alimentación está desgastado, dañado o cortado, hágalo cambiar inmediatamente por un técnico autorizado.

AÑADIDOS

Use sólo un añadido con tres conductores, de los cuales uno está puesto a tierra, y con un enchufe con tres clavijas y un conector con tres aberturas. La máquina tiene un cable de alimentación de 4 mm² de sección.

 **¡ AVISO !:** Use un añadido de cable de 4 mm² de sección. No use ningún añadido de más de 15 metros de largo. Nunca conecte dos añadidos.

PREPARACION DE LA MAQUINA PARA TRABAJAR

Colocación del disco



AVISO: Desconecte siempre el enchufe de la toma de red antes de colocar o cambiar un disco.

El conjunto del portadisco se encuentra en la cara inferior de la máquina. El portadisco sostiene el disco con una brida central. Para colocar un disco, siga este procedimiento:

1. Bloquee la empuñadura en posición vertical.
2. Coloque la empuñadura en el suelo de tal manera que la cara inferior de la máquina sea visible. Véase figura 2.
3. Destornille el portadisco (A).
4. Centre cuidadosamente el disco en el portadisco (B). Esto es importante para evitar vibraciones y ahorrar al operador un cansancio inútil.
5. Atornille de nuevo el portadisco (A).
6. Vuelva la máquina a una posición vertical.

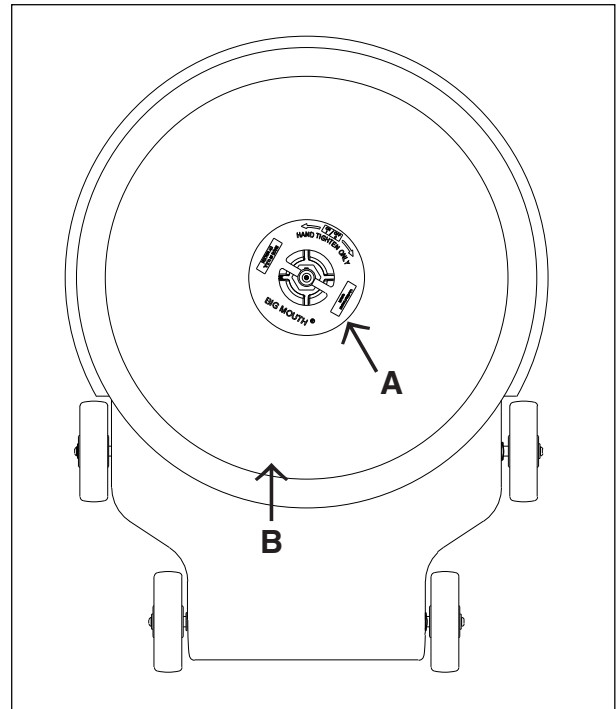


Figura 2

PUESTA EN MARCHA DE LA MÁQUINA

⚠ AVISO: Materiales y vapores inflamables se pueden inflamar si están en contacto con la máquina. No use nunca la máquina con o cerca de materiales inflamables, por ejemplo: gasolina, polvo de granos, disolventes y diluyentes.

⚠ CUIDADO: Si la máquina se queda en el mismo sitio, causará daños al revestimiento del suelo. La máquina debe siempre estar en movimiento cuando el disco gira.

NOTA : No use nunca la máquina antes de leer el modo de empleo y las instrucciones de seguridad.

Arranque y parada de la máquina

⚠ AVISO: Nunca arranque la máquina cuando la tobera está en posición vertical.

Se opera el interruptor arranque/parada con el cerrojo de seguridad (1) y las palancas (2) debajo de los manguitos de la empuñadura. Véase figura 3.

Para la puesta en marcha, siga este procedimiento:

1. Desbloquee la palanca de bloqueo de la empuñadura empujando el pedal con el pie y baje la tobera.

NOTA : Siempre tenga la empuñadura con ambos manos.

2. Sigue bajando la empuñadura hasta que se encuentra en posición de trabajo. Cuando la empuñadura está en posición de trabajo, puede levantar o bajarla libremente sin pulsar el botón de bloqueo.
3. Pulse el botón del bloqueo de seguridad (1) y apriete una de las palancas (2). Véase figura 3.
4. Avance la máquina. En superficies sucias, avance lentamente. En superficies menos sucias, avance más rápidamente.

Bosa de recogida de polvo

La bolsa de recogida de polvo (figura 4) se tiene que quitar y cambiar transcurridas aproximadamente 10 horas de uso. Balancear la máquina hacia atrás sobre su manillar. Apretar a ambos lados de la tapa de la bolsa y extraerla de la máquina. Quitar la bolsa de polvo y desecharla. Presionar ambos lados de la nueva bolsa para que se abra e introducirla sobre los tubos que sobresalen de la base. Volver a colocar la tapa. Volver a poner la máquina en posición vertical.

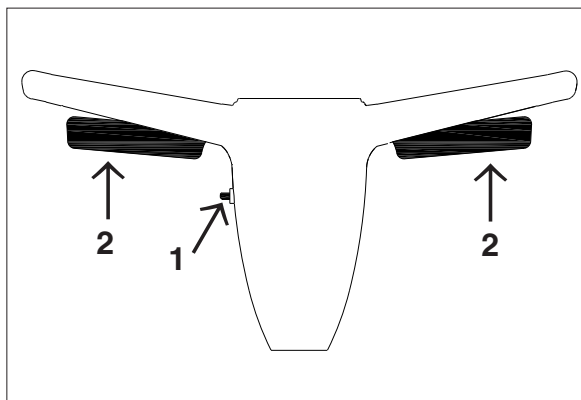


Figura 3

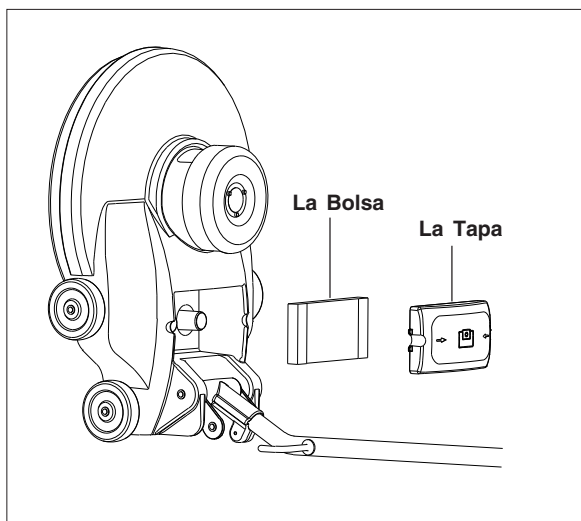


Figura 4

Instrucciones para guardar la máquina

AVISO: Siempre desconecte el enchufe de la toma de red antes de colocar o cambiar la bolsa.

Para guardar la máquina, siga este procedimiento:

1. Coloque la empuñadura en posición vertical.
2. Desconecte el enchufe del cable de alimentación de la toma de red.
3. Coloque la empuñadura en el suelo de tal manera que la cara inferior de la máquina sea visible.
4. Compruebe el disco.
5. Si el disco es sucio, quítelo y límpielo. Si es usado, cámbielo.
6. Coloque de nuevo la máquina en posición vertical.
7. Enrolle el cable de alimentación en torno el asidero y la cuerda engancha.
8. Presione la palanca para soltar la empuñadura y dóblela en posición horizontal la tapa del motor.
9. Inclíne la máquina de manera que quede apoyada sobre las ruedas traseras y los brazos de conexión. Véase figura 5.

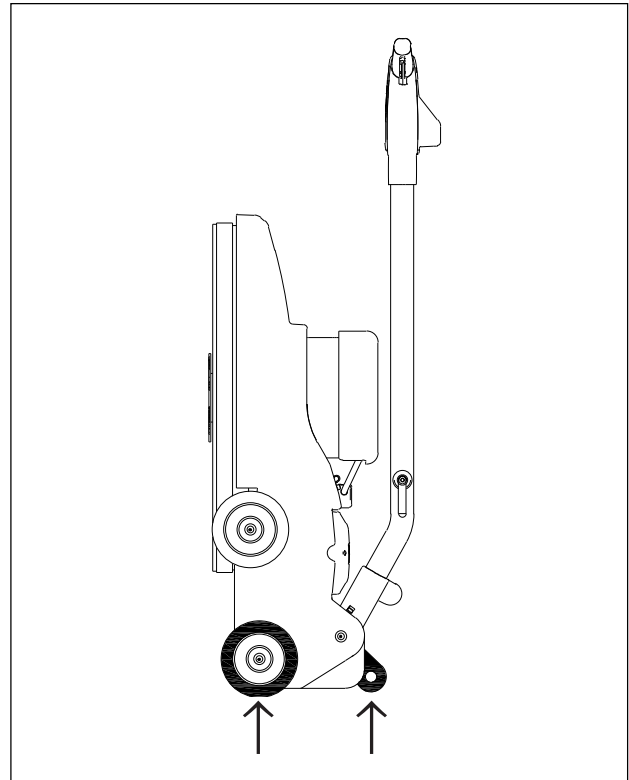


Figure 5

NOTA: No deje nunca la máquina en posición vertical apoyándose en el portadisco. Este se combara y causara vibraciones.

Verificación y reparaciones

La máquina debe ser verificada una vez al año por un centro técnico autorizado Clarke.





Cualquier mantenimiento o reparación debe ser efectuado por un técnico autorizado Clarke.

AVISO: El mantenimiento y las reparaciones deben ser efectuados por técnicos cualificados.

POSIBLES PROBLEMAS Y SOLUCIONES

Problema	Causa	Solucion
La máquina no funciona.	No hay alimentación.	Compruebe si la máquina está conectada con la toma de red <hr/> Compruebe si la máquina está conectada con un red cuyas tensión y frecuencia son correctas y compruebe si todas las conexiones están correctamente apretadas.
	Cable de alimentación dañado.	Avisé a un técnico autorizado.
	El disco es usado o sucio.	Limpie el disco. Si es usado, cámbielo.
La máquina no se pone en marcha.	La máquina no está alimentada.	Compruebe si la máquina está conectada con la toma de red. <hr/> Compruebe si la máquina está conectada con una red cuyas tensión y frecuencia son correctas y compruebe si todas las conexiones están correctamente apretadas.
El indicador de las escobillas de carbón se ilumina.	Hay que cambiar las escobillas.	Avisé a un técnico autorizado.
Vibraciones excesivas de la máquina.	El disco no está correctamente colocado o no es adecuado.	Quite el disco y colóquelo de nuevo correctamente. <hr/> Centre el disco adecuadamente sobre la periferia del soporte del disco.
	El disco es usado o dañado.	Coloque un disco nuevo.
	El disco es defectuoso.	Inspeccione el disco e instale un nuevo disco.
	El disco no tiene la capacidad para las revoluciones por minuto (RPM) de la bruñidora de alta velocidad.	Utilice el disco apropiado.
	El motor del disco es defectuoso.	Retire el disco, sostenga a la máquina elevada del piso con la manija y arranque la máquina. Si la máquina vibra, reemplace el motor del disco.

MANTENIMIENTO

-  **AVISO:** El mantenimiento y las reparaciones deben ser efectuados por técnicos cualificados.
-  **AVISO:** Para evitar el peligro de electrocución, desconecte siempre el enchufe antes de realizar un mantenimiento o una reparación de la máquina.
-  **AVISO:** Sólo ponga la máquina en marcha cuando está completa- y correctamente montada.
-  **AVISO:** Compruebe que todas las sujeciones están bien apretadas. Efectúe los reglajes según las instrucciones.

Mantenimiento del motor


La máquina tiene un motor de imán permanente y de corriente continua, que utilice un colector, escobillas de carbón y un rectificador.

Cuide de la limpieza de la máquina. Los mantenimientos y las reparaciones serán menos frecuentes si la máquina es limpia. Quite regularmente el polvo del motor, sea manualmente, sea con aire comprimido.

Indicador luminoso de desgaste de las escobillas

Esta máquina está equipada con una luz indicadora que se ilumina cuando las escobillas están gastadas. El colector debe ser verificado cada vez que se cambian las escobillas. Después de cambiar las escobillas dos veces, es necesario rectificar el colector. Las reparaciones deben ser efectuadas por un técnico autorizado.

Verificación del colector y de las escobillas de carbón

-  **AVISO:** Todas las verificaciones del circuito eléctrico deben ser efectuadas por un técnico autorizado. Todas las reparaciones eléctricas deben ser efectuadas por un técnico cualificado y autorizado.

Para verificar el colector y las escobillas de carbón, siga este procedimiento:

Compruebe que el enchufe de la toma de red está desconectada.

1. Quite los tornillos y las cubiertas.

2. Libere los resortes y saque las escobillas de sus soportes. No desconecte las escobillas.
3. Gire el portadisco y inspeccione la parte del colector en contacto con las escobillas.
4. Entregue la máquina a un centro técnico autorizado Clarke si nota una de las siguientes situaciones:
 - 1.) Se nota pequeños agujeros en la superficie del colector. Véase figura 6 A.
 - 2.) Coloración desigual : el color del contorno del colector debe ser uniformemente pardo oscuro. Si nota zonas limpias y zonas muy oscuras, hay un problema. Véase figura 6 B.
 - 3.) Demasiado mica : el aislante en mica debe ser menos alto que las hojas del colector. Véase figura 6 C.
5. Cambie las cuatro escobillas de carbón si una de las escobillas es más corta que 1 cm. Para cambiar las escobillas de carbón, siga este procedimiento:
 - 1.) Quite los tornillos. Cambie las escobillas. Coloque de nuevo los tornillos.
 - 2.) Mediante un gancho, mantenga el resorte apartado. Instale la escobilla en la ranura. Deje el resorte ponerse de nuevo en su sitio al extremo de la escobilla. El hilo no puede estorbar el movimiento de la escobilla en su soporte.
 - 3.) Coloque las cubiertas y los tornillos.

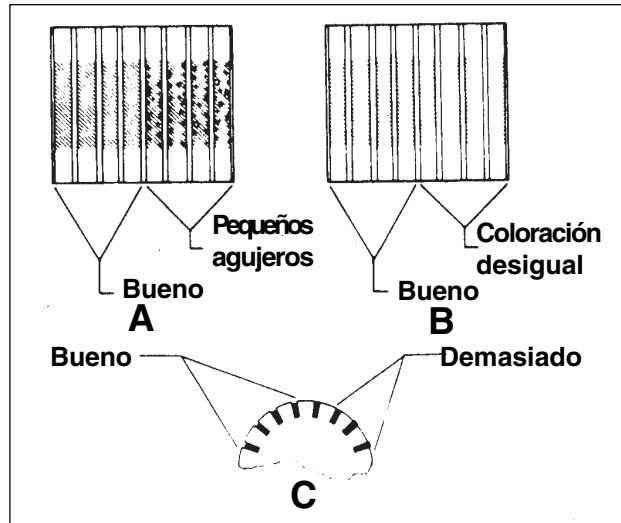


Figure 6

Rectificador

Cuando ha ajustado correctamente la presión del disco, si el térmico sigue accionándose y si el motor no funciona a su velocidad normal, se puede que el rectificador esté dañado. En tal caso, entregue la máquina a un centro técnico autorizado Clarke para cambiar el rectificador.

Lined page for notes or translation.

LISEZ CE MANUEL

Ce Manuel contient des informations importantes concernant l'utilisation et le fonctionnement de cette machine dans des conditions de sécurité optimales. La non-lecture de ce manuel avant d'utiliser ou d'entretenir votre machine Clarke risque de provoquer un accident ou d'endommager la machine ou son environnement. Vous devez avoir été formé à l'utilisation de cette machine avant de l'utiliser. Si l'opérateur n'est pas en mesure de lire ce Manuel, il devra se le faire expliquer entièrement avant de tenter d'utiliser cette machine.

Toutes les directions données dans ce Manuel le sont par rapport à la position de l'opérateur, à l'arrière de la machine.

Pour commander un nouveau Manuel, écrivez à : Clarke®, 2100 Highway 265, Springdale, Arkansas 72764.

INDEX

Consignes de sécurité pour l'opérateur	27
Présentation de la machine	28
Machines 120V - Instructions pour le raccordement électrique	29
Machines 240V - Instructions pour le raccordement électrique	30
Préparation de la machine avant la mise en service	31
Fonctionnement de la machine	32
Pannes courantes et solutions	34
Entretien	35

SECTION II Pièces et manuel d'entretien

INSTRUCTIONS POUR LA SECURITE DE L'OPERATEUR

!DANGER!:	Le non-respect des consignes précédées du mot DANGER peut occasionner des blessures graves, voire entraîner la mort. Lisez et respectez toutes les consignes DANGER figurant dans ce manuel et sur la machine.
AVERTISSEMENT:	Le non-respect des consignes AVERTISSEMENT peut entraîner des blessures pour l'opérateur ou d'autres membres du personnel et/ou occasionner des dégâts matériels. Lisez et respectez toutes les consignes AVERTISSEMENT figurant dans ce manuel et sur la machine.
ATTENTION:	Le non-respect des consignes signalées par le mot ATTENTION peut entraîner des dégâts à la machine ou dans son environnement. Lisez et observez toutes les consignes ATTENTION figurant dans ce manuel et sur la machine.

**!DANGER!:**

Lisez toujours ce manuel d'instructions avant de mettre la machine en service ou de procéder à un entretien. A défaut, vous risqueriez de vous blesser ou de blesser des collègues de travail; vous pourriez également provoquer des dégâts à la machine ou sur votre lieu de travail. Vous devez avoir reçu une formation avant d'utiliser la machine. Si vous (ou les membres de votre personnel) ne connaissez pas le français, veuillez vous faire expliquer le manuel complètement avant de commencer à utiliser la machine.

**DANGER!:**

Pour éviter tout risque d'incendie, n'utiliser que des produits de nettoyage et des cires pour sol spécialement conçus pour un usage en machine

**!DANGER!:**

Risque d'explosion lorsque la machine est utilisée dans l'environnement immédiat de matériaux ou de vapeurs inflammables. N'utilisez jamais la machine avec ou près de combustibles, de grains de poussière, de solvants, de diluants ou d'autres matériaux inflammables. N'utilisez la machine que dans des locaux parfaitement ventilés pour éviter la formation d'un mélange inflammable de poussière de coton et d'air.

**!DANGER!:**

Si vous utilisez une machine avant qu'elle ne soit complètement montée, vous risquez de vous blesser ou de provoquer des dégâts matériels. Ne mettez pas la machine en service avant qu'elle ne soit complètement montée. Vérifiez soigneusement l'état de la machine avant chaque utilisation.

**!DANGER!:**

Si vous procédez à un entretien ou à une réparation sans avoir débranché la machine, il y a risque d'électrocution. Débranchez la fiche de la prise réseau avant de commencer tout entretien ou toute réparation. Débranchez toujours la fiche de la prise réseau avant de changer le disque et si vous laissez la machine sans surveillance.

**!DANGER!:**

L'utilisation d'une machine lorsque le câble d'alimentation est endommagé peut provoquer une électrocution. Ne jamais utiliser la machine si le câble d'alimentation est endommagé. Ne pas utiliser le câble électrique pour tirer la machine.

**AVERTISSEMENT:**

Un entretien ou des réparations effectués par des personnes non qualifiées risque de provoquer des blessures et/ou des dégâts matériels. Tous les travaux d'entretien ou de réparation de la machine doivent être effectués par des techniciens qualifiés. Bien veiller à ce que les fixations soient correctement serrées. Effectuer les réglages conformément aux indications figurant dans le manuel.

**AVERTISSEMENT:**

Risque de court-circuit si les composants électriques d'une machine ont été exposés à l'humidité ou sont mouillés. Veiller à ce que les composants électriques soient toujours secs. Essuyez soigneusement la machine après chaque utilisation. Entrez la machine dans un local sec.

**AVERTISSEMENT:**

Utiliser toujours un câble à trois conducteurs, relié à la terre. Pour une protection optimale, branchez la machine sur une prise réseau équipé d'un différentiel. En cas de doute, faire appel à un électricien qualifié.

**AVERTISSEMENT:**

Pour éviter d'endommager le câble d'alimentation, veillez à ce que le disque, le porte-disque ou les roues ne touchent pas le câble lorsque la machine fonctionne. Soulevez toujours le câble au-dessus de la machine. Ne tirez pas le câble pour faire avancer la machine.

AVERTISSEMENT: Si vous utilisez une machine sans respecter toutes les consignes figurant sur les auto-collants et les panneaux d'instructions, vous risquez de provoquer des blessures et des dégâts matériels. Lisez toutes les indications figurant sur la machine avant la première utilisation. Vérifiez que tous les auto-collants et les instructions sont positionnés aux endroits requis. Au besoin, recommandez-en chez votre revendeur Clarke.

AVERTISSEMENT: Toute modification ou changement apportés à cette machine peuvent l'endommager ou blesser l'opérateur ou d'autres personnes se trouvant à proximité. Les modifications et changements qui n'ont pas été expressément autorisés par le fabricant annulent toute garantie. La responsabilité du fabricant se trouve de ce fait entièrement dérogée.

AVERTISSEMENT: Ne pas utiliser cette machine comme escabeau ou comme meuble. Risque de blessure ou de dégât matériel. Ne pas utiliser la machine comme moyen de transport.

AVERTISSEMENT: Pour éviter d'être blessé, veillez à maintenir une distance de sécurité suffisante entre les parties mobiles de la machine et vos mains ou vos pieds. Ne portez pas de vêtements amples.

ATTENTION: Cette machine est lourde. Faites-vous aider pour la transporter ou pour la déplacer.

ATTENTION: Pour éviter une surcharge du moteur, ne pas utiliser la polisseuse pour un récurage à l'eau. La polisseuse n'est pas équipée d'une jupe pour retenir l'eau. Risque de projections.

PRESENTATION DE LA MACHINE

Les polisseuses électriques à entraînement direct sont des machines destinées à polir les sols. Cette opération s'effectue par des mouvements d'avant en arrière. Note: ne pas utiliser la machine pour un récurage à l'eau.

ATTENTION: Pour éviter d'endommager le sol, ne jamais laisser tourner la machine au même endroit. Lorsque le disque est en contact avec le sol, la machine doit être constamment en mouvement.

Caractéristiques:

Modèle	US 1500		US 1500DC		US 2000DC	
	01530A	01531A	01540A	01541A	01550A	01551A
Pièce	01530A	01531A	01540A	01541A	01550A	01551A
Tension (V)	120	240	120	240	120	240
Courant (A)	15	8	15	8	15	8
Fréquence (Hz)	50/60		50/60		50/60	
Porte-disque (cm)	51		51		51	
Surface polie (cm)	51		51		51	
Vitesse de rotation du disque (t/min)	1,500		1,500		2,000	
Moteur (kW)	1.1		1.1		1.1	
Câble (m)	15		23		23	
Poids (kg)	32		36		36	

Tableau de la gamme des disques de polissage (505 mm)

N° pièce	Description	Application	Utilisation	Tours/min	Couleur	Finition
976240	UHS Aqua Buffer	Polissage	à sec	1500-3000	eau	semi-mat/peu de passage réfléchissant semi- mat
976238	SHS Buffer	Tamponnage	à sec/ pulvérisation	600-1500	beige	brillant

MACHINES 120 V. INSTRUCTIONS POUR LE RACCORDEMENT ELECTRIQUE

Cette machine doit être mise à la terre. Si l'isolation est déficiente, le fil de terre constitue un chemin de faible résistance qui permet le passage du courant, réduisant ainsi le risque de choc électrique. La machine est munie d'un câble d'alimentation à trois conducteurs et d'une fiche à trois broches, dont une sert à la mise à la terre. La fiche ne peut être branchée que dans une prise réglementaire, reliée à la terre selon les règles de l'art et qui satisfait à tous les règlements locaux.

- ⚠ AVERTISSEMENT:** Une mise à la terre incorrecte peut provoquer un choc électrique. Si vous avez le moindre doute quant à la mise à la terre de votre prise réseau, faites-la vérifier par un électricien ou un technicien agréé. Ne modifiez jamais la fiche fournie avec la machine. Si la fiche ne rentre pas dans la prise réseau dont vous disposez, faites installer une prise adéquate par un électricien agréé.

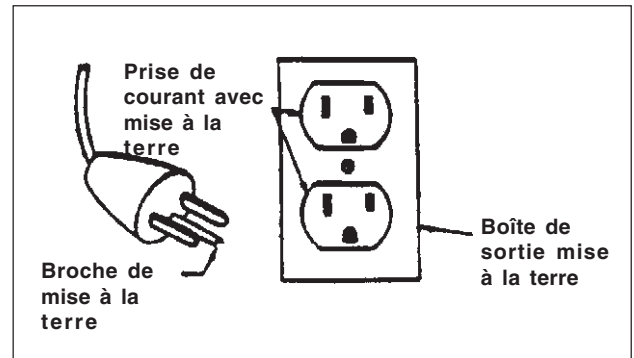


Figure 1

Cette machine doit être utilisée sur un circuit d'une puissance nominale de 120 V. Elle est munie d'une fiche avec broche de mise à la terre semblable à celle illustrée à la figure 1b. Vérifiez que la prise à laquelle la machine doit être raccordée présente une configuration correspondant à la fiche. N'utilisez pas d'adaptateur.

- ⚠ AVERTISSEMENT:** Pour éviter tout risque de choc électrique, protégez la machine de la pluie. Entrez-la dans un local sec.
- ⚠ AVERTISSEMENT:** Pour éviter tout risque d'électrocution, connectez la machine sur un réseau à trois conducteurs, relié à la terre et muni d'un différentiel. En cas de doute, adressez-vous à un électricien agréé.
- ⚠ AVERTISSEMENT:** Ne jamais casser, enlever ou couper la broche de mise à la terre. Si la fiche ne correspond pas à la prise, faire appel à un électricien agréé.
- ⚠ AVERTISSEMENT:** Si le câble d'alimentation est usé, endommagé ou entaillé, faites-le remplacer immédiatement par un technicien agréé.

ALLONGES

N'utiliser qu'une allonge à trois conducteurs, dont un de mise à la terre, munie d'une fiche à trois broches et d'un connecteur à trois orifices. La machine est équipée d'un câble d'alimentation de 4mm² de section.

- ⚠ ! AVERTISSEMENT !:** Utilisez un câble de rallonge d'une section de 6 mm². N'utilisez pas de rallonge d'une longueur supérieure à 15 m. Ne raccordez jamais deux rallonges.

MACHINES 240 V. INSTRUCTIONS POUR LE RACCORDEMENT ELECTRIQUE

Cette machine doit être mise à la terre. Si l'isolation est déficiente, le fil de terre constitue un chemin de faible résistance qui permet le passage du courant, réduisant ainsi le risque de choc électrique. La machine est munie d'un câble d'alimentation à trois conducteurs et d'une fiche à trois broches, dont une sert à la mise à la terre. La fiche ne peut être branchée que dans une prise réglementaire, reliée à la terre selon les règles de l'art et qui satisfait à tous les règlements locaux.



AVERTISSEMENT: Une mise à la terre incorrecte peut provoquer un choc électrique. Si vous avez le moindre doute quant à la mise à la terre de votre prise réseau, faites-la vérifier par un électricien ou un technicien agréé.

Cette machine doit être utilisée sur un circuit de 240 V. La fiche de ce produit doit être remplacée par une fiche à trois broches avec terre de configuration appropriée pour une alimentation électrique locale. La nouvelle fiche doit être installée par un électricien qualifié.



AVERTISSEMENT: Pour éviter tout risque de choc électrique, protégez la machine de la pluie. Entrez-la dans un local sec.



AVERTISSEMENT: Pour éviter tout risque d'électrocution, connectez la machine sur un réseau à trois conducteurs, relié à la terre et muni d'un différentiel. En cas de doute, adressez-vous à un électricien agréé.



AVERTISSEMENT: Ne jamais casser, enlever ou couper la broche de mise à la terre. Si la fiche ne correspond pas à la prise, faire appel à un électricien agréé.



AVERTISSEMENT: Si le câble d'alimentation est usé, endommagé ou entaillé, faites-le remplacer immédiatement par un technicien agréé.

ALLONGES

N'utiliser qu'une allonge à trois conducteurs, dont un de mise à la terre, munie d'une fiche à trois broches et d'un connecteur à trois orifices. La machine est équipée d'un câble d'alimentation de 4mm² de section.



! AVERTISSEMENT !: Utilisez un câble de rallonge d'une section de 4 mm². N'utilisez pas de rallonge d'une longueur supérieure à 15 m. Ne raccordez jamais deux rallonges.

PREPARATION DE LA MACHINE AVANT LA MISE EN SERVICE

Pose du disque

⚠ AVERTISSEMENT: Débrancher toujours la fiche de la prise réseau avant de poser ou de changer un disque.

L'ensemble du porte-disque se trouve sur la face inférieure de la machine. Le porte-disque maintient le disque en place, au moyen d'une flange centrale. Pour placer un disque, suivre la procédure ci-après:

1. Verrouiller la poignée en position verticale.
2. Coucher la machine sur le sol, de façon à ce que la face inférieure de la machine soit visible. Voir figure 2.
3. Dévisser le porte-disque (A).
4. Centrer soigneusement le disque sur le porte-disque (B). Ceci est important pour éviter des vibrations et épargner une fatigue inutile à l'opérateur.
5. Revisser le porte-disque (A).
6. Placer la machine à la position verticale.

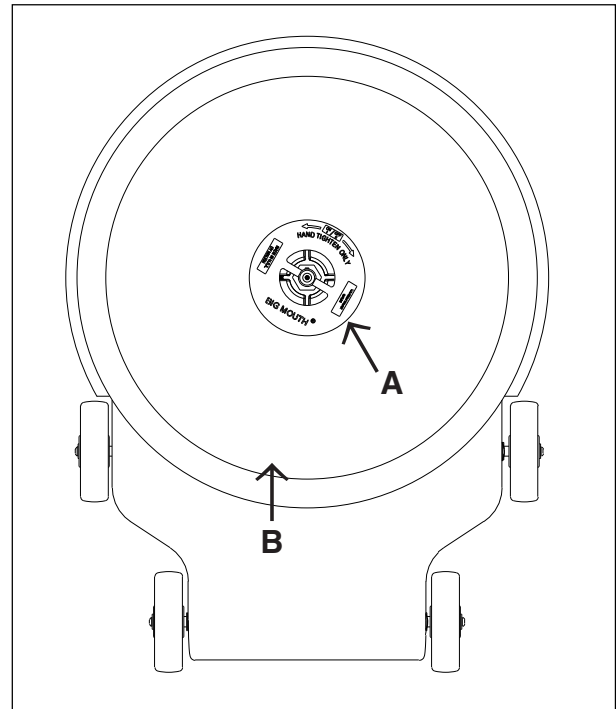


Figure 2

MISE EN SERVICE DE LA MACHINE

AVERTISSEMENT: Des matériaux et vapeurs inflammables peuvent s'enflammer au contact de la machine. Ne jamais utiliser la machine avec ou près de matériaux inflammables tels que : essence, poussière en grains, solvants et diluants.



ATTENTION: Si la machine tourne sur place, le revêtement du sol sera endommagé. La machine doit toujours être en mouvement lorsque le disque tourne.

NOTE: Ne jamais utiliser la machine avant d'avoir pris connaissance de son mode de fonctionnement et des consignes de sécurité.

Mise en marche et arrêt de la machine

AVERTISSEMENT: Ne jamais mettre la machine en marche lorsque le timon est en position verticale.

L'interrupteur marche/arrêt est activé par le verrou de sécurité (1) et les leviers (2) situés sous les manchons de la poignée. Voir figure 3.

Pour la mise en marche, suivre la procédure ci-après:

1. Déverrouiller le levier de blocage de la poignée par pression du pied sur la pédale et abaisser le timon.

NOTE: Toujours tenir la poignée à deux mains.

2. Continuer à abaisser la poignée jusqu'à ce qu'elle se trouve en position de travail. Lorsqu'elle se trouve en position de travail, la poignée peut être relevée ou abaissée librement, sans plus devoir presser le bouton de verrouillage.
3. Enfoncer le bouton du verrouillage de sécurité (1) et presser un des leviers (2). Voir figure 3.
4. Faire avancer la machine. Sur des surfaces sales, avancer lentement. Sur des surfaces moins sales, avancer plus rapidement.

Comment changer le sac de collection de poussière

Le sac de collection de poussière doit être retiré et remplacé après environ 10 heures d'utilisation. Faites basculer la machine vers l'arrière sur sa poignée. Appuyez sur les côtés du couvercle du sac et retirez-le de la machine. Retirez le sac de collection de poussière et éliminez-le. Appuyez sur les côtés du nouveau sac pour l'ouvrir et installez-le en le poussant vers le bas sur les tubes en saillie du socle. Reposez le couvercle. Remettez la machine en position verticale.

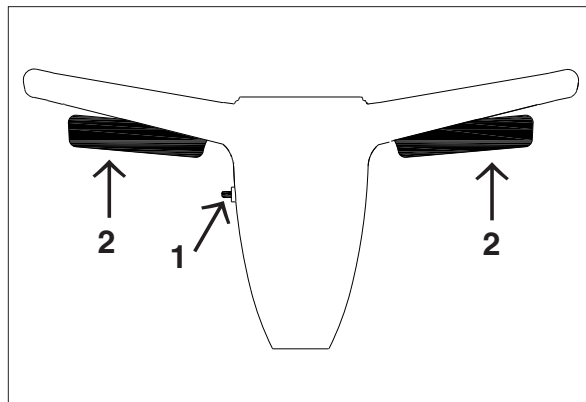


Figure 3

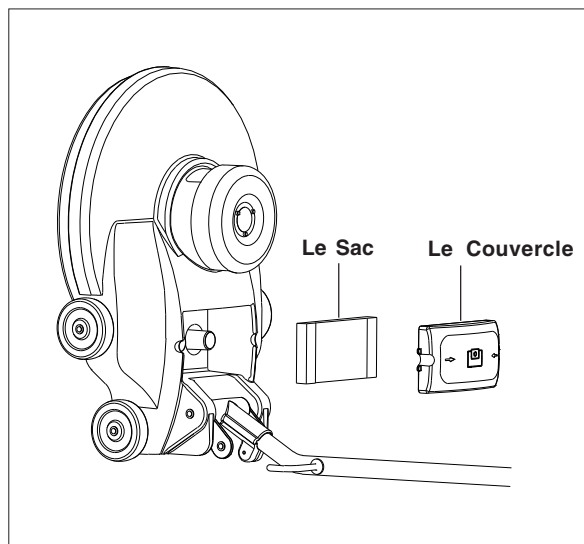


Figure 4

Rangement de la machine



AVERTISSEMENT: Toujours débrancher la fiche de la prise réseau avant d'installer ou de changer le sac.

Pour ranger la machine, suivre la procédure ci-après :

1. Placer la poignée en position verticale
2. Débrancher la fiche du cordon d'alimentation de la prise réseau
3. Coucher la poignée sur le sol de façon à ce que la face inférieure de la machine soit visible.
4. Vérifier le disque
5. Déposer et nettoyer le disque s'il est sale. Le remplacer s'il est usé.
6. Replacer la machine en position verticale.
7. Enrouler le câble d'alimentation autour de la poignée et le crochet de corde.
8. Appuyer sur le levier de blocage de la poignée et replier la poignée à l'horizontale à travers le moteur.
9. Inclinez la machine pour qu'elle repose sur les roues arrière, puis reliez les bras. Voir figure 5.

NOTE: Ne jamais entreposer la machine verticalement sur le porte-disque. Celui-ci se voilera et provoquera des vibrations.

Vérification et réparations

La machine doit être vérifiée une fois l'an dans un centre technique agréé Clarke.

Tout entretien ou réparation doit être effectué par un technicien agréé Clarke.



AVERTISSEMENT: L'entretien et les réparations doivent être effectués par des techniciens qualifiés.

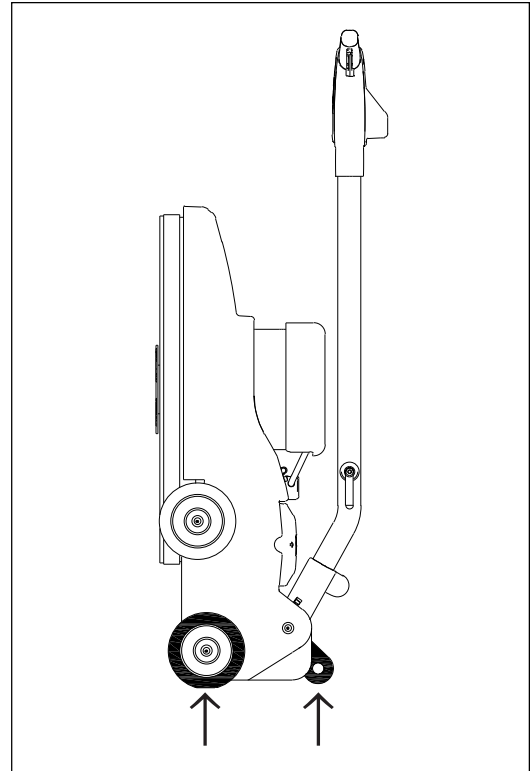



Figure 5


PANNES COURANTES ET SOLUTIONS

Probleme	Cause	Solution
La machine ne fonctionne pas .	Pas d'alimentation.	Vérifier que la machine est branchée sur la prise réseau. <hr/> Vérifier que la machine est raccordée à un réseau dont la tension et la fréquence sont correctes et vérifier que toutes les connexions sont bien serrées.
	Câble d'alimentation endommagé.	Faire appel à un technicien agréé.
	Le disque est usé ou sale.	Nettoyer le disque. S'il est usé, le remplacer.
La machine ne se met pas en marche.	La machine n'est pas alimentée.	Vérifier que la machine est branchée sur la prise réseau. <hr/> Vérifier que la machine est raccordée à un réseau dont la tension et la fréquence sont correctes et vérifier que toutes les connexions sont bien serrées.
	Les balais doivent être remplacés.	Faire appel à un technicien agréé.
Vibrations excessives de la machine.	Le disque n'est pas placé correctement ou est inadéquat.	Enlever le disque et le replacer correctement. <hr/> Le patin n'est pas centré à la périphérie du support de patin.
	Le disque est usé ou endommagé.	Placer un disque neuf.
	Le disque est défectueux.	Inspectez et installez un nouveau disque.
	Le patin n'est pas conçu pour le régime du moteur ou pour une polisseuse à haute vitesse.	Utiliser un patin approprié
	Entraîneur de patin défectueux.	Retirez le patin, maintenez la machine au dessus du sol à l'aide de la poignée, puis démarrez-la. Si la machine oscille, remplacez l'entraîneur de patin.

ENTRETIEN

 **AVERTISSEMENT:** L'entretien et les réparations doivent être effectués par des techniciens qualifiés.

 **AVERTISSEMENT:** Pour éviter tout risque d'électrocution, débranchez toujours la fiche avant d'effectuer un entretien ou une réparation sur la machine.

 **AVERTISSEMENT:** Ne jamais mettre la machine en service avant de l'avoir complètement et correctement montée.

 **AVERTISSEMENT:** Vérifier que toutes les fixations sont bien serrées. Effectuer les réglages conformément aux instructions.

Entretien du moteur


La machine est équipée d'un moteur à aimant permanent et à courant continu, utilisant un collecteur, des balais de carbone et un redresseur.

Veiller à la propreté de la machine. Les entretiens et les réparations seront moins fréquents si la machine est propre. Enlever régulièrement la poussière du moteur, soit manuellement, soit avec de l'air comprimé.

Témoin lumineux d'usure des balais

Cette machine est équipée d'un témoin lumineux qui s'allume quand les brosses sont usées. Le collecteur doit être inspecté chaque fois que les balais sont remplacés. Après que les balais aient été remplacés deux fois, le collecteur doit être rectifié. Les réparations doivent être effectuées par un technicien agréé.

Vérification du collecteur et des balais de carbone

 **AVERTISSEMENT:** Toutes les vérifications du circuit électrique doivent être effectuées par un technicien agréé. Toutes les réparations électriques doivent être effectuées par un technicien qualifié et agréé.

Pour la vérification du collecteur et des balais de carbone, suivre la procédure ci-après:
Vérifier que la fiche de la prise réseau est débranchée.

1. Enlever les vis et les couvertures.

2. Relâcher les ressorts et sortir les balais de leur support. Ne pas déconnecter les balais.
3. Tourner le porte-disque et inspecter la partie du collecteur qui est en contact avec les balais.
4. Confier la machine à un centre technique agréé Clarke si une des conditions suivantes se présente:
 - 1.) Présence de petits trous à la surface du collecteur. Voir figure 6 A.
 - 2.) Coloration inégale : il faut que la couleur du pourtour du collecteur soit uniformément brun foncé. Des zones propres et des zones très foncées indiquent qu'il y a un problème. Voir figure 6 B.
 - 3.) Trop de mica : la hauteur de l'isolant en mica doit être inférieure à celle des lames du collecteur. Voir figure 6 C.
5. Remplacer les quatre balais de carbone si la longueur d'un des balais est inférieure à 1 cm. Pour remplacer les balais de carbone, procéder comme suit:
 - 1.) Enlever les vis. Remplacer les balais. Replacer la vis.
 - 2.) A l'aide d'un crochet, maintenir le ressort écarté. Installer le balai dans l'encoche. Laisser le ressort revenir en place à l'extrémité du balai. Le fil ne doit pas entraver le mouvement du balai dans son support.
 - 3.) Replacer les couvertures et les vis.

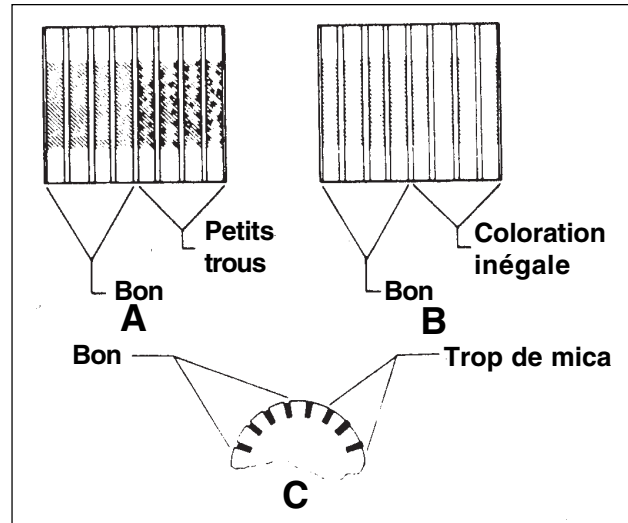


Figure 6

Redresseur

Après réglage correct de la pression du disque, si le thermique continue à déclencher et que le moteur ne tourne pas à sa vitesse normale, il se peut que le redresseur soit endommagé. Dans ce cas, confier la machine à un centre technique agréé Clarke, où le redresseur sera remplacé.

Clarke[®]

Ultra Speed

Burnisher

120V & 240V

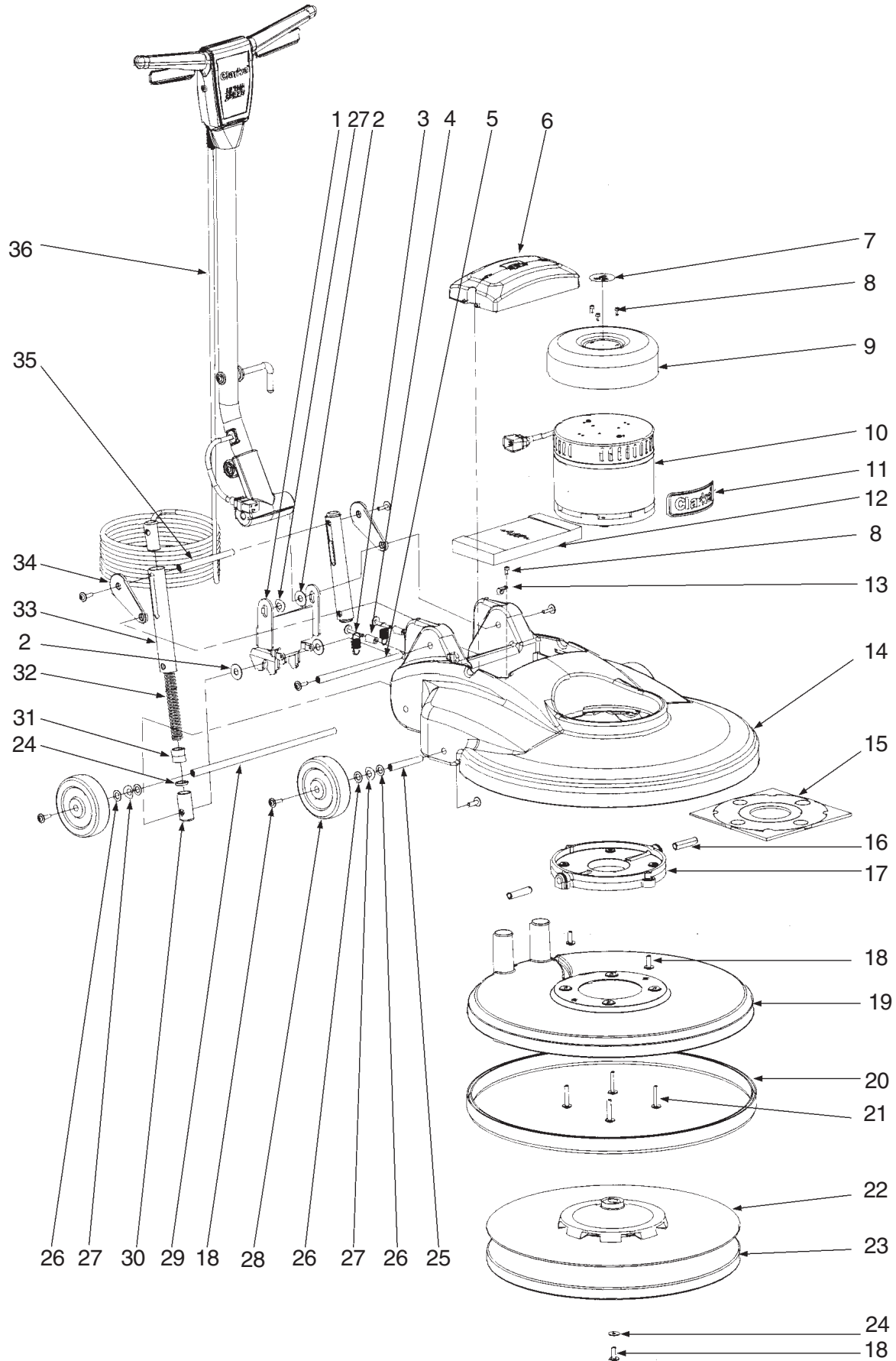
with NEMA Plug

Section II

Parts and Service Manual

(71280A)

Clarke® Ultra Speed Burnisher
 Assembly Parts List 8/07



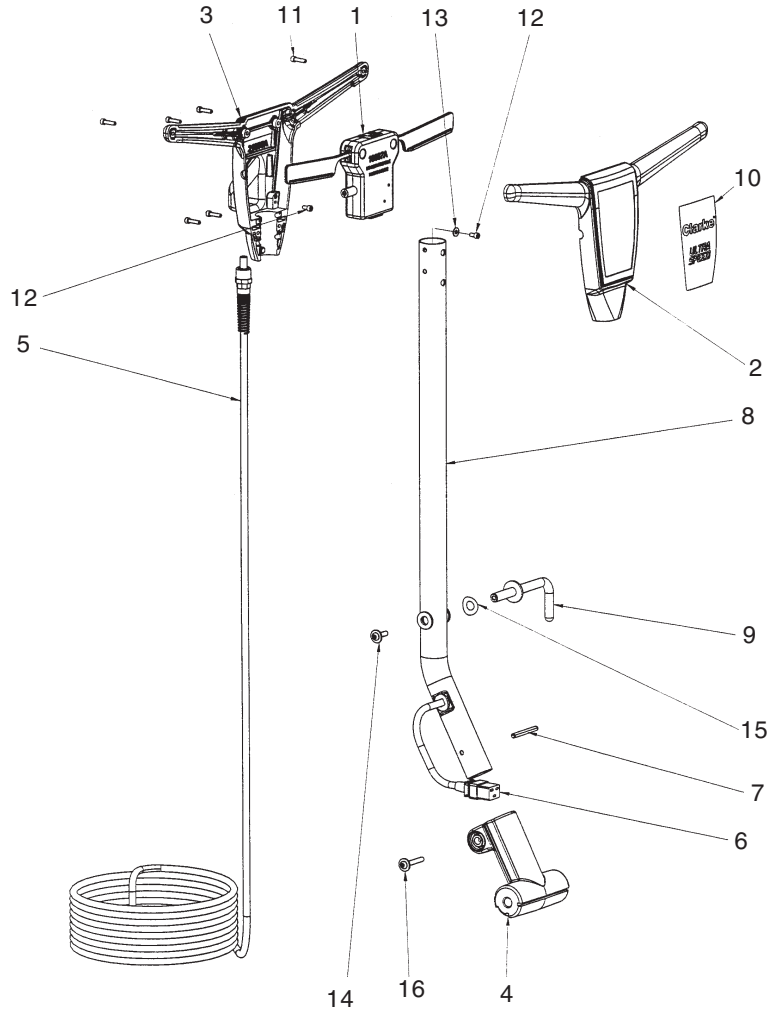
**Clarke® Ultra Speed Burnisher
Assembly Parts List 2/08**

Ref	Part No.	Description	Model 1500		Model 1500 DC		Model 2000 DC	
			01530A	01531A	01540A	01541A	01550A	01551A
			Quantity					
1	61849A	Pedal, Release	1	1	1	1	1	1
2	87607A	Washer, Nylon Flat	3	3	3	3	3	3
3	54196A	Spring, Extension	2	2	2	2	2	2
4	38738A	Spacer, 1/4 x 1/2 x 1	2	2	2	2	2	2
5	61870A	Axle, Pivot	1	1	1	1	1	1
6	30741A	Cover, Dust Bag	-	-	1	1	1	1
7	71332A	Label, Motor Cover 1500	1	1	-	-	-	-
	71329A	Label, Motor Cover 1500DC	-	-	1	1	-	-
	71330A	Label, Motor Cover 2000DC	-	-	-	-	1	1
8	80290A	Screw, 10-32 x .38 HRCS	3	3	5	5	5	5
9	61717A	Cover, Drip	1	1	1	1	1	1
10	40935A	Motor, 1.5HP, 120 50/60, 1500 RPM	1	-	-	-	-	-
	41029A	Motor, 1.1kW, 240 50/60,1500RPM	-	1	-	-	-	-
	40966A	Motor, 1.5HP, 120 50/60, 1500 RPM	-	-	1	-	-	-
	41030A	Motor, 1.1kW, 240 50/60,1500RPM	-	-	-	1	-	-
	40936A	Motor, 1.5HP, 120 50/60, 2000 RPM	-	-	-	-	1	-
	41031A	Motor, 1.1kW, 240 50/60,2000RPM	-	-	-	-	-	1
11	73323A	Label, Motor Clarke	1	1	1	1	1	1
12	54195A*	Bag, Dust (Package of 10)	-	-	1	1	1	1
13	54434A	Clamp, Cable	-	-	2	2	2	2
14	30742A	Mainframe, Dust Control	-	-	1	1	1	1
	30743A	Mainframe	1	1	-	-	-	-
15	54435A	Gasket, 2 pcs.	-	-	1	1	1	1
16	53793A	Pin, Coiled 1/2 x 2 1/4	2	2	2	2	2	2
17	30744A	Mount, Motor	1	1	1	1	1	1
18	80292A	Screw, Buttonhead	13	13	13	13	13	13
19	30739A	Shroud, Dust	-	-	1	1	1	1
20	56393565	Skirt Assembly	-	-	1	1	1	1
21	80297A	Screw, Buttonhead 1/4-20 x 1.75	6	6	6	6	6	6
22	54198A	Pad Driver	1	1	1	1	1	1
23	976240**	Pad, 20" Aqua (Case of 5)	1	1	1	1	1	1
24	980413	Washer, Retainer	1	1	1	1	5	5
25	61871A	Axle, Front	2	2	2	2	2	2
26	980673	Washer, Flat 1/2 x 7/8 x 3/64	8	8	8	8	8	8
27	80295A	Washer, Bowed	5	5	5	5	5	5
28	56201018	Wheel	4	4	4	4	4	4
29	61869A	Axle, Rear	1	1	1	1	1	1
30	39872A	Guide, Spring	4	4	4	4	4	4
31	38737A	Sleeve, Split .810 ID x 1.02 OD	2	2	2	2	2	2
32	80346A	Spring, Compression #25	2	2	2	2	-	-
	80374A	Spring, Compression #30	-	-	-	-	2	2
33	61890A	Spring Tube	2	2	2	2	2	2
34	39873A	Arm, Link	2	2	2	2	2	2
35	61892A	Pin, Load Spring 1/2 x 5.75	1	1	1	1	1	1
36	Page 40	Handle, Assembly	1	1	1	1	1	1

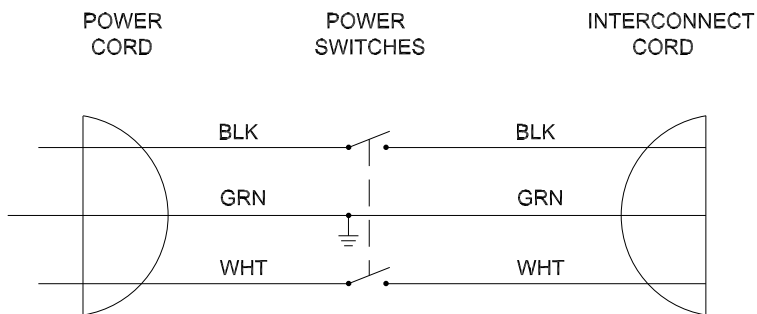
* One bag installed plus one ten-pack supplied with unit.

** One pad supplied with unit.

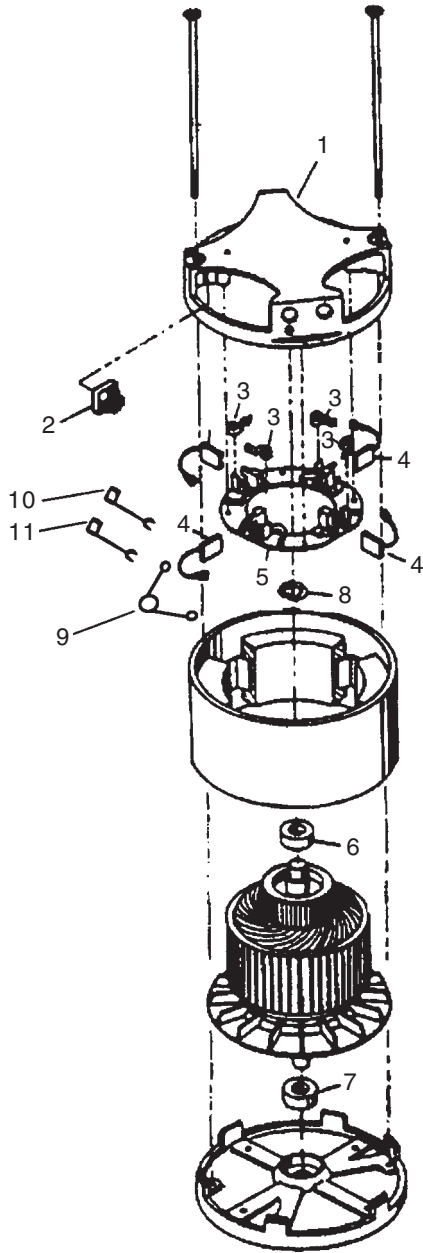
Clarke® Ultra Speed Burnisher
US 1500, US 1500DC & US 2000DC
Handle Assembly Drawing, Parts List and Schematic 6/07



Ref	Part No.	Description	Qty	Ref	Part No.	Description	Qty
1	10687A	Interlock Assembly	1	8	61850A	Handle Tube Weldment	1
2	21074A	Handle, Front	1	9	61894A	Cord Hook	1
3	21075A	Handle, Rear	1	10	71328A	Label, Handle UltraSpeed	1
4	29901A	Handle Mount	1	11	80284A	Screw, 10-32 UNF x .75 HRCS	6
5	40788A	Cord, Power 50' (1500)	1	12	80290A	Screw, 10-32 x .38 HRCS	2
	40939A	Cord, Power 75' (1500DC, 2000DC)	1	13	80291A	Washer, Flat #10	1
6	41028A	Cord, Interconnect (1500)	1	14	80292A	Screw Button Head (SEMS)	1
	40951A	Cord, Interconnect (1500DC, 2000DC)	1	15	80295A	Washer Bowed	1
7	54199A	Pin, Coiled	1	16	80297A	Screw, Button Head 1/4-20 x 1 3/4	1

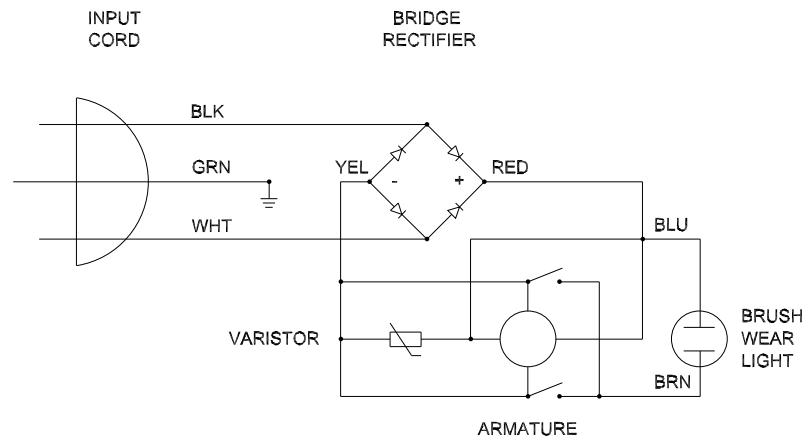


Clarke® Ultra Speed Burnisher
US 1500, US 1500DC & US 2000DC
Motor Assembly Drawing, Parts List and Schematic 6/07



Ref	Part No.	Description	Qty
1	52045A	Commutator Bracket	1
2	912287	Rectifier (120V)	1
	46105A	Rectifier (240V)	
3*	448396	Spring	4
4*	51405A	Brush, Carbon (120V)	4
	40819A	Brush, Carbon (240V)	4
5*	51435A	Brush Board Assembly (120V)	1
	40411A	Brush Board Assembly (240V)	1
6	902550	Bearing 6203 (Upper)	1
7	902547	Bearing 6205 (Lower)	1
8	980076	Wave Washer	1
9*	59606A	Varistor (120V)	1
	59607A	Varistor (240V)	1
10*	55647A	Yellow Lead	1
11*	55648A	Red Lead	1

*(#5 includes 3, 4, 9, 10 and 11)



CLARKE PRODUCT SUPPORT BRANCHES

U. S. A. Locations

PRODUCTION FACILITIES

Clarke®, Springdale, Arkansas
2100 Highway 265
Springdale, Arkansas 72764
(479) 750-1000
Customer Service - 1-800-253-0367
Technical Service - 1-800-356-7274

SERVICE FACILITIES

Clarke®, Elk Grove, Illinois 60007
2280 Elmhurst Road
(847) 956-7900

Clarke®, Denver, Colorado 80204
1955 West 13th Ave.
(800) 651- 3760

Clarke®, Houston, Texas 77040
7215 North Gessner Road
713-937-7717

SERVICE AND SALES FACILITY

American Lincoln® / Clarke, Madison Heights,
Michigan 48071-0158
29815 John R.
(810) 544-6300

American Lincoln® / Clarke, Marietta, Georgia 30066
1455 Canton Road
(770) 218-2116

Clarke®

Clarke American Sanders

Customer Service Headquarters and Factory
2100 Highway 265
Springdale, Arkansas 72764
(479) 750-1000

Technical Service
1-800-356-7274

European Locations

PRODUCTION FACILITIES

ALTO Danmark A/S, Aalborg
Blytaekervej 2
DK-9000 Aalborg
+45 72 18 21 00

ALTO Danmark A/S, Hadsund
Industrivareret
DK-9560 Hadsund
+45 72 18 21 00

SALES SUBSIDIARIES

ALTO US - Canada, Ontario (Canada)
4080 B Sladeview Crescent Unit 1
Mississauga, Ontario L5L 5Y5
(905) 569 0266

ALTO Cleaning Systems Asia Pte Ltd., Singapore
No. 17 Link Road
Singapore 619034
+65 268 1006

ALTO Deutschland GmbH, Bellenberg (Germany)
Guido-Oberdorfer-Straße 2-8
89287 Bellenberg
+49 0180 5 37 37 37

ALTO Cleaning Systems (UK) Ltd., Penrith
Gilwilly Industrial Estate
Penrith
Cumbria CA11 9BN
+44 1768 868 995

ALTO France S.A. Strasbourg
B.P. 44, 4 Place d'Ostwald
F-67036 Strasbourg
Cedex 2
+33 3 8828 8400

ALTO Nederland B.V.
Postbus 65
3370 AB Hardinxveld-Giessendam
The Netherlands
+31 184 677 200

ALTO Sverige AB, Molndal (Sweden)
Aminogatan 18
Box 4029
S-431 04 Molndal
+46 31 706 73 00

ALTO Norge A/S, Oslo (Norway)
Bjornerudveien 24
N-1266
+47 2275 1770

Clarke® U.S. WARRANTY

This Clarke product is warranted to be free from defects in materials and workmanship under normal use and service when operated and maintained in accordance with Clarke's Maintenance and Operations instructions. The warranty period is subject to the conditions stated below.

Replacement parts of your new Ultra Speed Burnisher are warranted for 3 years, and labor for service is warranted for 1 year from the date of purchase. This warranty does not cover normal wear parts such as the electrical cable, rubber parts, or the dust control skirt.

Your new Ultra Speed Burnisher has a Polydur mainframe body that is warranted for 8 years. If it breaks or cracks under normal use within 8 years of the date of purchase, it will be replaced free of charge.

This warranty is extended only to the original purchaser during normal use of the product.

STATED WARRANTIES ARE IN LIEU OF ALL OTHER WARRANTIES EXPRESSED OR IMPLIED. Clarke's liability under this warranty is limited to repair of the product and/or replacement of parts provided to purchaser in lieu of all other remedies, including INCIDENTAL AND CONSEQUENTIAL DAMAGES.

THERE ARE NO EXPRESSED WARRANTIES OTHER THAN THOSE SPECIFIED HEREIN. THERE ARE NO WARRANTIES WHICH EXTEND BEYOND THE DESCRIPTION OF THE FACE HEREOF. NO WARRANTIES, INCLUDING, BUT NOT LIMITED TO WARRANTY OF MERCHANTABILITY, SHALL BE IMPLIED.

A warranty registration card is provided with Clarke product. Return the card to assist Clarke in providing the performance you expect from your new Clarke machine.

If a difficulty develops with the product, you should: a) Contact the nearest authorized Clarke repair location or contact the Clarke Service Operations Department, 2100 Highway 265, Springdale, Arkansas 72764, for the nearest authorized Clarke repair location. Only these locations are authorized to make repairs to the product under this warranty. b) Return the product to the nearest Clarke repair location. Transportation charges to and from the repair location must be prepaid by the purchaser. Clarke will repair the product and/or replace any defective parts without charge with a reasonable time after receipt of the product.

Clarke, 2100 Highway 265, Springdale, Arkansas 72764

**Clarke reserves the right to make changes or improvements to its machine without notice.
Always use genuine Clarke® Parts for repair.**

Clarke®

2100 Highway 265
Springdale, Arkansas, 72764