



COMMERCIAL

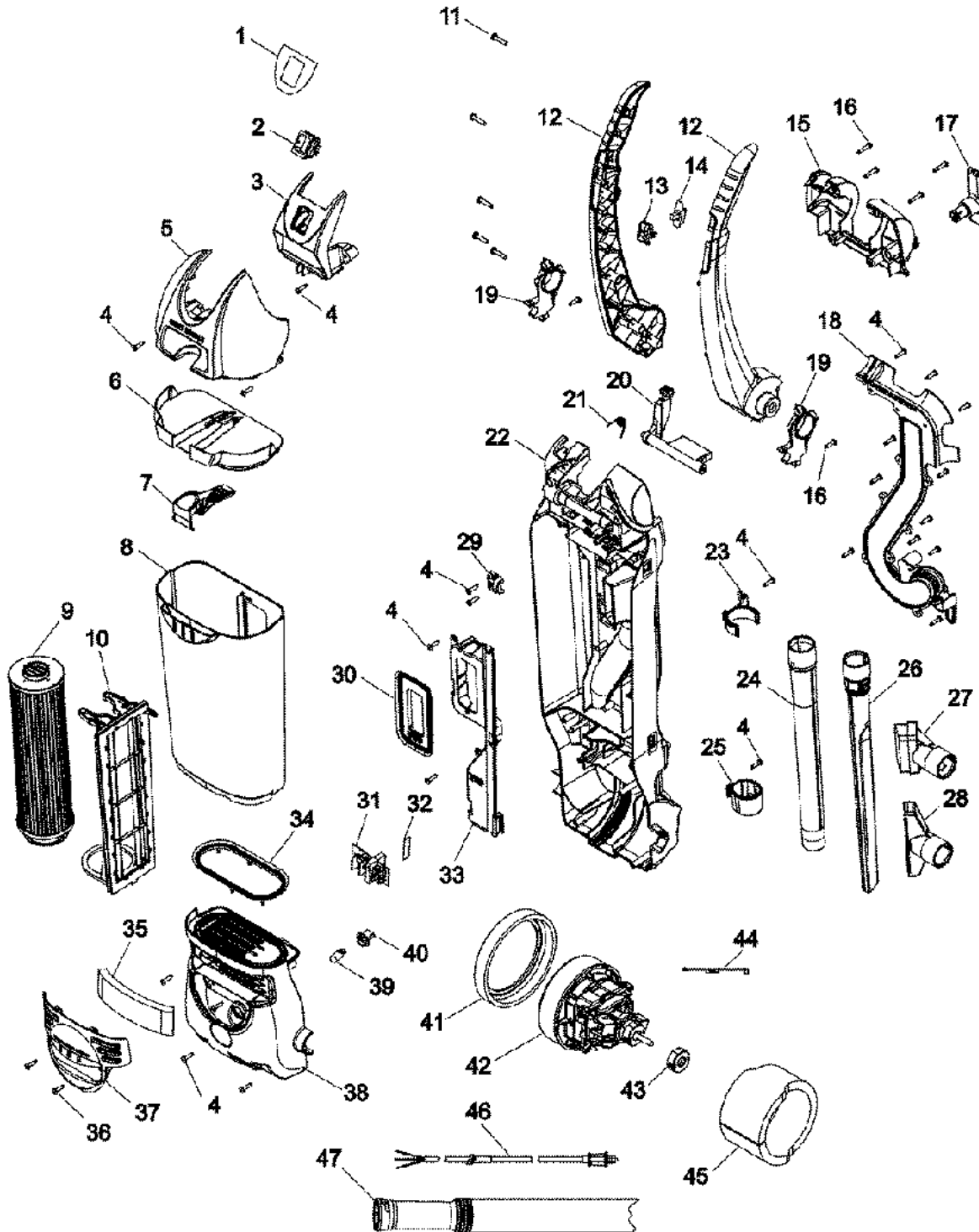
Twin Chamber

4

ASSEMBLY SCHEMATIC

MODEL NO.

C1660-900





COMMERCIAL

Twin Chamber

4

PART LISTING / PRICE LIST

MODEL No.

C1660-900

ITEM	PART NUMBER	MODELS TO FIT	PART DESCRIPTION
1	92001029	C1660-900	SWITCH MOUNT COVER - NAME PLATE
2	28166001	C1660-900	SWITCH
3	92001009	C1660-900	SWITCH MOUNT - BLACK
4	21447242	C1660-900	SCREW - SELF TAPPING
5	92001013	C1660-900	HANDLE COVER / CARRYING HANDLE
6	92001028	C1660-900	DIRT CUP LID
7	36151049	C1660-900	LATCH ACTUATOR LID - BLACK
8	38775115	C1660-900	DIRT CUP - TRANSPARENT GRAY
9	40140201	C1660-900	CARTRIDGE FILTER - DIRT CUP
10	36426067	C1660-900	PRE-FILTER SUPPORT ASSEMBLY - MAGNESIUM GRAY
11	21447269	C1660-900	SCREW
12	92001014	C1660-900	UPPER HANDLE ASSEMBLY - BLACK
13	91001051	C1660-900	SURGE BUTTON - GRAPHITE GRAY
14	28179106	C1660-900	SURGE SWITCH WITH LEADS
15	92001008	C1660-900	HANDLE RETAINER COVER
16	21447072	C1660-900	SCREW
17	90001100	C1660-900	CORD WRAP - DARK CHARCOAL GRAY
18	92001012	C1660-900	DIRT DUCT COVER - BLACK
19	36131121	C1660-900	TRUNNION - UPPER HANDLE
20	92001063	C1660-900	PIVOT LATCH LEVER - GRAPHITE GRAY
21	38355016	C1660-900	PIVOT LATCH SPRING
22	92001010	C1660-900	BACK PANEL / DIRT CUP HOUSING - BLACK
23	92001003	C1660-900	UPPER WAND HOLDER - BLACK
24	38634092	C1660-900	EXTENSION TUBE - 14" - MAGNESIUM GRAY
25	92001004	C1660-900	LOWER WAND HOLDER - BLACK
26	38617031	C1660-900	CREVICE TOOL - LONG MAGNESIUM GRAY
27	43414197	C1660-900	DUSTING BRUSH ASSEMBLY - BLACK
28	38614044	C1660-900	FURNITURE NOZZLE - GRAPHITE GRAY
29	27478611	C1660-900	STRAIN RELIEF
30	38785020	C1660-900	INLET SEAL - DIRT CUP
31	46851035	C1660-900	PCB ASSEMBLY
32	34123058	C1660-900	PCB SUPPORT
33	92001007	C1660-900	WIRE CHANNEL COVER
34	38785021	C1660-900	EXHAUST SEAL - BLACK
35	38765024	C1660-900	FINAL FILTER / EXHAUST



COMMERCIAL

Twin Chamber

4

PART LISTING / PRICE LIST

MODEL No.

C1660-900

ITEM	PART NUMBER	MODELS TO FIT	PART DESCRIPTION	
36	21447228	C1660-900	SCREW - SELF TAPPING	
37	31383152	C1660-900	LENS / FINAL FILTER RETAINER - TRANSPARENT GRAY LIGHT	
38	92001005	C1660-900	MOTOR COVER - BLACK	
39	27313107	C1660-900	BULB	
40	27341505	C1660-900	LAMP SOCKET ASSEMBLY	
41	36322037	C1660-900	MOTOR MOUNT - LARGE	
42	27212070	C1660-900	MOTOR ASSEMBLY	
43	36322030	C1660-900	MOTOR MOUNT - SMALL	
44	28382097	C1660-900	THERMAL PROTECTOR	
45	39411001	C1660-900	FOAM MOTOR MUFFLER	
46	91001011	C1660-900	POWER CORD	
	46583169	C1660-900	EXTENSION CORD - 35'	
47	43431224	C1660-900	HOSE ASSEMBLY	



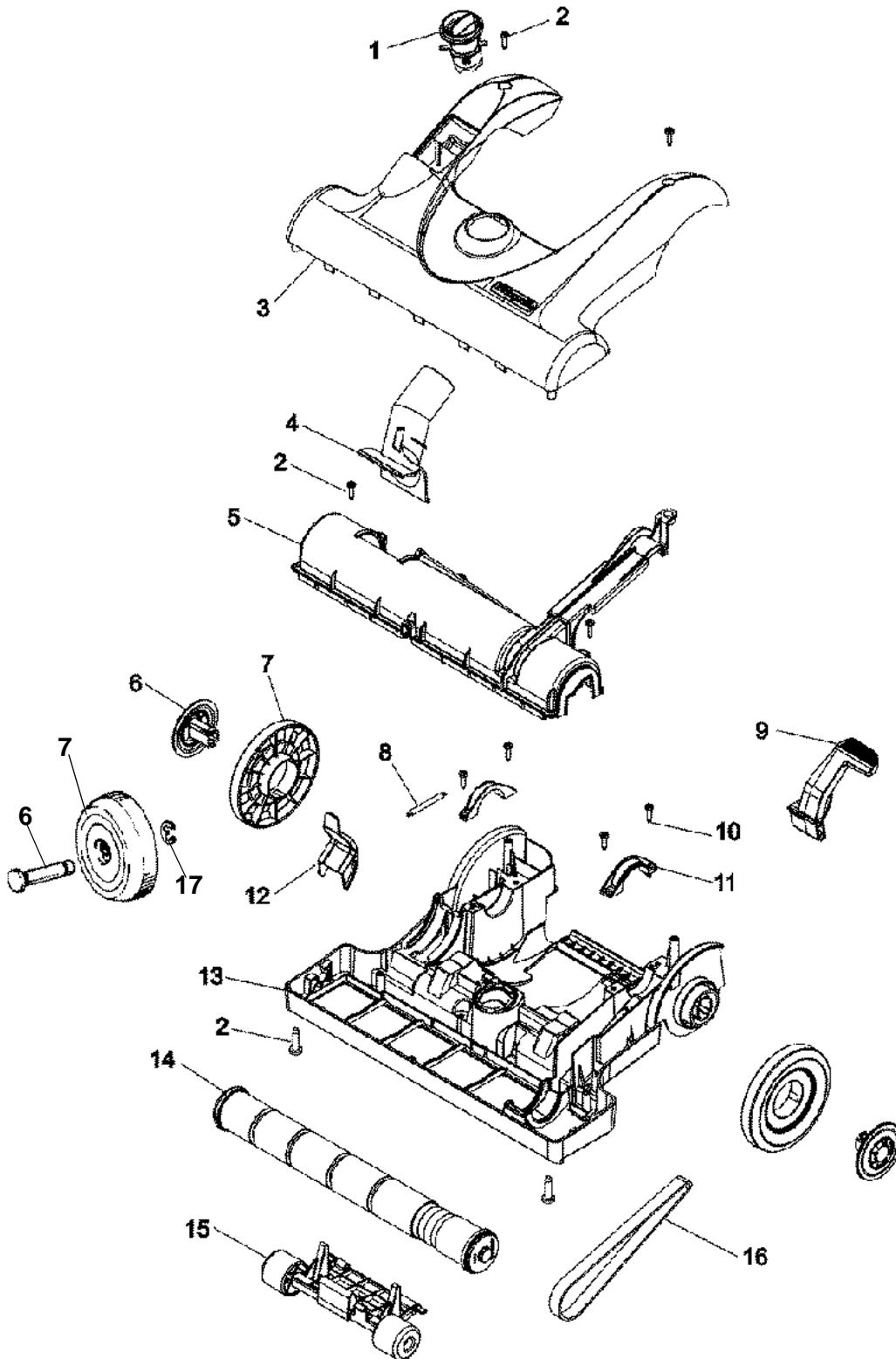
COMMERCIAL

Twin Chamber

4

ASSEMBLY SCHEMATIC

MODEL NO.
C1660-900





COMMERCIAL

Twin Chamber

4

PART LISTING / PRICE LIST

MODEL No.

C1660-900

ITEM	PART NUMBER	MODELS TO FIT	PART DESCRIPTION
1	92001011	C1660-900	NOZZLE HEIGHT ADJUSTMENT CAM - GRAPHITE GRAY
2	21447072	C1660-900	SCREW
3	92001006	C1660-900	HOOD / NOZZLE COVER - 15" BLACK
4	38646087	C1660-900	LOWER DUCT - MAGNESIUM GRAY
5	37243047	C1660-900	AGITATOR HOUSING
6	37912018	C1660-900	WHEEL HUB - SNAP IN
	32434019	C1660-900	WHEEL AXLE
7	38522086	C1660-900	REAR WHEEL - SNAP IN
	38522091	C1660-900	REAR WHEEL - MAGNESIUM GRAY
	522206001	C1660-900	REAR WHEEL - BLACK
8	38335026	C1660-900	DEBRIS DOOR SPRING
9	38458070	C1660-900	HANDLE RELEASE LEVER
10	21447242	C1660-900	SCREW - SELF TAPPING
11	36131118	C1660-900	TRUNNION COVER - DARK CHARCOAL GRAY
12	37257312	C1660-900	DEBRIS DOOR - GRAPHITE GRAY
13	37242142	C1660-900	BODY / NOZZLE BASE - SNAP IN WHEELS MAGNESIUM GRAY
	37242156	C1660-900	BODY / NOZZLE BASE - AXLE WHEEL MAGNESIUM GRAY
14	48414132	C1660-900	AGITATOR ASSEMBLY - 15" WOODEN
15	43248068	C1660-900	FRONT WHEEL ASSEMBLY
16	38528040	C1660-900	BELT
17	160017--	C1660-900	E - CLIP / LOCK RING