

# Maintenance & Care Manual

## *Model S Pile Brush Dry Extraction Machine*



**Your Certified Model S Pile Brush:**

Serial Number \_\_\_\_\_

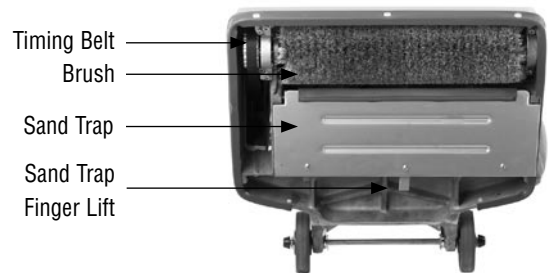
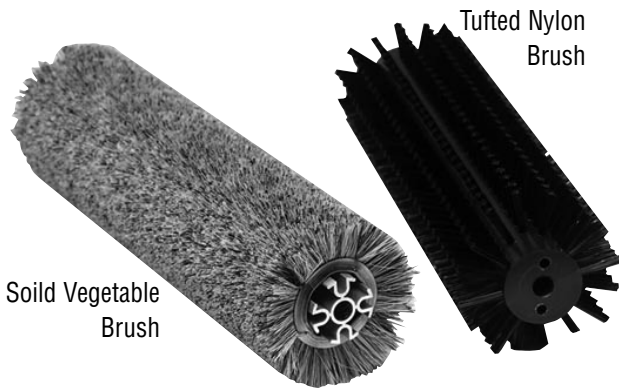
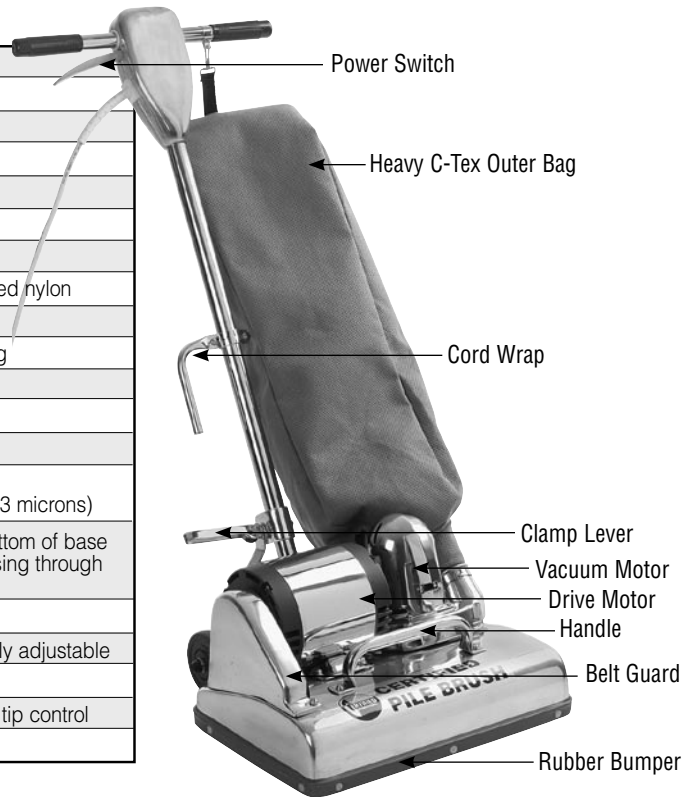
Date Purchased \_\_\_\_\_

# Maintenance and Specs for your Pile Brush



## Certified Dry Extraction Pile Lifter Specs:

<b>WEIGHT:</b>	67 lbs.. (30.4 kilo)
<b>OVERALL WIDTH:</b>	19.25" (48.90 cm)
<b>OVERALL DEPTH:</b>	18" (45.72 cm)
<b>OVERALL HEIGHT:</b>	43.25" (109.86 cm)
<b>BRUSH DRIVE MOTOR:</b>	1/2 hp, 60Hz, 115 volt
<b>BRUSH LENGTH:</b>	15" Self-Leveling (38.10 cm)
<b>BRUSH DIAMETER:</b>	4.5" (10.16 cm)
<b>Choice of two brushes:</b>	Solid reversible Vegetable fill, Tufted nylon
<b>VACUUM MOTOR:</b>	1/2 hp universal 115 volt
<b>BASE:</b>	Polished rugged aluminum casting
<b>CABLE:</b>	50' x 14.3 U.L. approved
<b>SWITCH:</b>	Momentary contact
<b>GEARED DRIVE:</b>	No slipping
<b>OUTER BAG:</b>	Heavy C-Tex™ material (Collection efficiency 97.25% @ 0.3 microns)
<b>SAND TRAP:</b>	Exclusive hinged sand trap on bottom of base to collect heavy objects from passing through vacuum motor.
<b>WHEELS:</b>	4" heavy duty, non-marking
<b>FLOOR ROD:</b>	Heavy 1/4" (32 cm) wall tubing fully adjustable
<b>HANDLE:</b>	Extra wide 18" (45.72 cm)
<b>SWITCH LEVER:</b>	5" (12.7 cm) plastic coated finger tip control
<b>SHIPPING WEIGHT:</b>	80 lbs.. (36.3 kilo)



## STORAGE

After using your pile brush always empty the sand trap and check the refill bag and cord.

Wrap the cord around the cord rest and the handle.

When not in use, do not leave weight of machine resting on brush. Place a block or the corrugated material from shipping, under the machine away from brush.  
(It will flat-spot its fibers, which causes vibration, poor cleaning and premature brush replacement.)

Avoid wet carpeted areas. (This is not good for the natural fiber brush, vacuum bag and motor, or its drive system.)

Store the pile brush in a dry area.



# Maintenance and Specs for your Pile Brush

## ○ EMPTY THE VACUUM BAG FREQUENTLY

IMPORTANT: Empty insert bag when 3/4 full to maximize vacuum performance.

Unplug Pile Brush from outlet before bag replacement.

- 1- Unzip outer bag.
- 2- Disconnect the paper bag from the bellow
- 3- Remove old paper bag and dispose in a suitable container.
- 4- Connect the pile brush bellow to the new bag insert.

Note: Always make sure the paper bag insert is not folded or restricted.

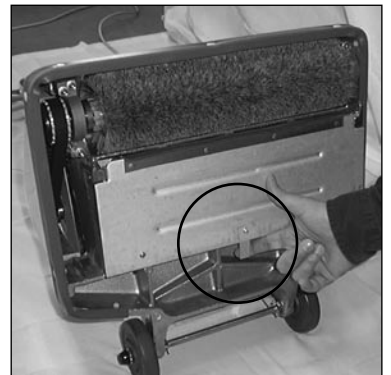
Items needed: 924-058 High Efficiency bag insert



## ○ EMPTY SAND TRAP FREQUENTLY

Unplug Pile Brush from outlet before emptying sand trap.

- 1- Place the Pile Brush over an old newspaper and turn back so that it rests on the rear wheels and handle.
- 2- Grab the finger lift on the center of the sand trap door and pull open.
- 3- Remove all debris from inside the sand trap. Dispose of debris.
- 4- Close the sand trap door (make sure lid is always fully sealed.)



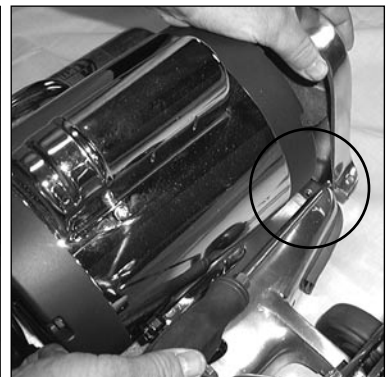
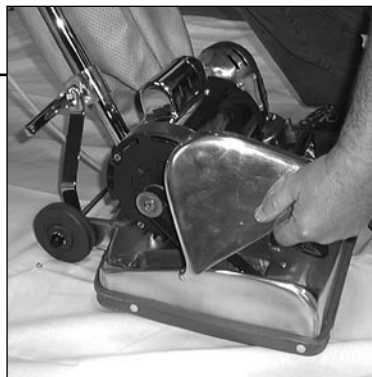
## ○ TIMING BELT REPLACEMENT Or adjustment

Unplug Pile Brush from outlet before replacing belt.

- 1- Remove the 2 bolts on the belt guard and the smaller screw on the inside of the belt guard shield.
- 2- Loosen the 4 bolts on the Drive motor and slide the motor forward. This will help loosen tension on the belt for easier removal.
- 3- Slide belt over the brush drive assembly and replace with the new belt.
- 4- Slide the motor back into place and tighten the 4 motor mount bolts. Making sure the belt has no slack.
- 5- Make sure the belt is aligned properly.
- 6- Attach and reassemble the belt guard.

For belt adjustment -To adjust motor alignment, loosen motor mount bolts. Push motor forward to loosen tension on timing belt or back to tighten. Turn motor slightly to the left or right to get belt running in the center of pulleys. Then tighten the motor mount bolts securely. Fine adjustment can be effected by turning bolts in front and back slightly.

Items needed: Straight screw driver, 1/2 wrench  
Timing belt 941-001



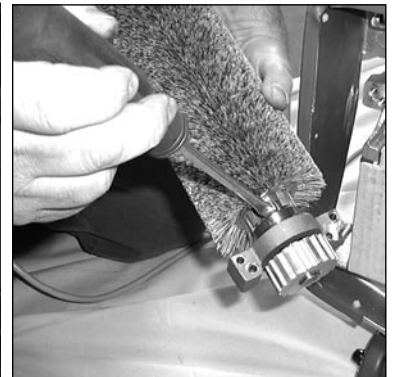
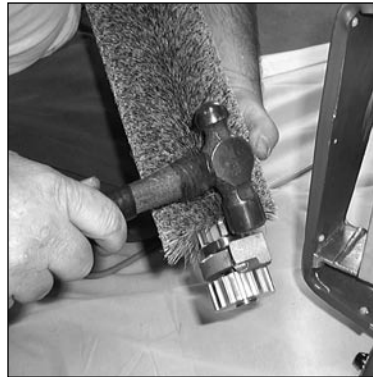
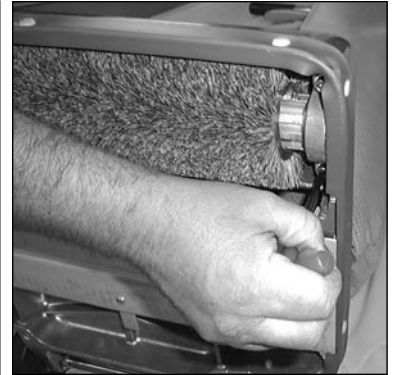
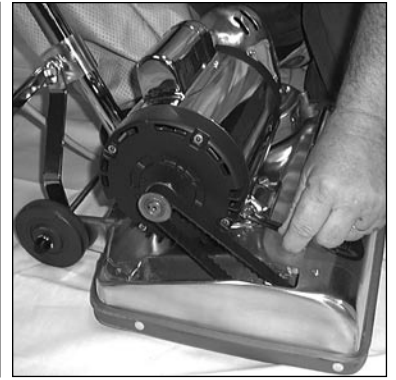
# Maintenance and Specs for your Pile Brush

## ○ REVERSE BRUSH Every 100 hours

Unplug Pile Brush from outlet before reversing brush.

- 1- Remove the 2 bolts on the belt guard and the smaller screw on the inside of the belt guard shield.
- 2- Loosen the 4 bolts on the Drive motor and slide the motor forward. This will help loosen tension on the belt for easier removal of the brush.
- 1-Turn the Pile Brush over so that the brush is exposed.
- 2- Remove the 4 bolts holding the brush drive assembly and the 2 bolts holding the idler assembly, disconnect the drive belt from the pulley, lift and pull the brush out.
- 3- Pull idler assembly and drive assembly off both ends of the brush (You may have to pry with a screwdriver if necessary.) The brush may now be turned or replaced if needed.
- 4- Attach the idler assembly and drive assembly to the opposite side of the brush, and tap into place with a rubber mallet.
- 5- Place the reversed brush back into pilebrush base and attach the drive belt.
- 6- Replace the 4 drive assembly bolts into the base, and the 2 idler assembly bolts. The shorter bolt will go into the recessed hole on the drive assembly.

Items needed: Rubber mallet, straight screw driver, 3/16" Allen wrench



## ○ TROUBLE SHOOTING

The Pile Brush is not picking up the larger particules.

Check the sand trap to make sure it is clean with no obstruction and properly conected

The Pile Brush is not picking up the dry particules.

Check the sand trap to make sure it is clean and properly sealed, check or replace refill bag if necessary. Make sure bellow is not clogged.

The machine drive motor is making a rough sound.

Make sure you are not lifting the wheels up from the carpet surface. This will add extra drag to the motor.

Drawing Number	Part Number	Description	Number Required
		<b>Pile Brush Handle Assembly - Includes</b>	
1	900-078	Switch Box Cover Casting	1
2	900-077	Switch Box Back Casting (has 3 thru holes)	1
	**905-002	Bottom Switch Box Screw	2
	**905-019	Top Switch Box Screw	1
3.	929-006	Plastic Handle Grip	2
4.	946-005	Dust Bag Support Ring	1
5.	957-008	2" Floor Rod & Yoke	1
6.	938-001	Plastic Handle Bushing	2
7.	921-041	Power Cable w/Plug	1
8.	915-051	Cable Wrap	1
9.	915-052	Cable Wrap Clamp	1
10	903-007	1/4-20 x 3/4 Rd. Hd. Screw	2
11	908-004	1/4-20 Hex Nut	2
43	930-008	Handle Bar	1
44	904-034	Handle Bar Screws 1/4-20 x 1-1/2	2
47	900-092	Switch Lever Casting	1
48	901-016	3/16 x 1-1/2 Spiral Pin	2
49	907-023	3/16 id Spiral Pin Washer	1
50	946-010	Motor Drive Switch Auxiliary Spring	1
51	920-008	Motor Drive Switch	1
52	903-015	Motor Drive Switch Screws	2
53	915-036	Motor Drive Mounting Bracket	1
54	903-020	10-32 x 3/8 Rd. Hd. Screw - S	3
55	906-004	#10 Lock Washer	2
57	922-062	#10 Butt Wire Connector	1
58	922-060	Acorn Nut Wire Connector	1
59	913-002	3/8 x 1/2 Strain Relief Tubing	1
60	921-009	Floor Rod Electric Cable w/Plug	1
62	910-002	Allen Head Cap Screw	2
19	910-005	Floor Rod Base Bolt	1
17	907-002	3/8 Wrought Steel Washer - Small	2
21	908-002	3/8-16 Essna Lock Nut	1
27	906-001	1/4" Lock Washer	2
	<b>101-014</b>	<b>2" FLOOR ROD CLAMP ASSEMBLY</b>	
12	900-147	2" High Floor Rod Clamp Casting (for 1-1/4" dia.)	1
13	902-001	Cam Thrust Bolt	1
20	907-009	3/8 Wrought Steel Washer	1
21	908-002	3/8-16 Essna Lock Nut	1
37	915-003	Clamp Cam Lever	1
98	902-002	5/16-18 x 1 Clamp Cam Lever Bolt	1
99	908-005	5/16-18 Clamp Cam Lever Lock Nut	1
17	907-002	3/8 Wrought Steel Washer - Small	1
	<b>101-016</b>	<b>AXLE ASSEMBLY</b>	
14	943-001	Axle	1
16	927-0104	Non-Marking Wheels (3/8 i.d.)	2
17	907-002	3/8 Flat Washer	6
18	942-004	Axle Hub Cap	2
	**939-024	Large Axle X Ring	2
	**939-023	Small Axle X Ring	2
68	<b>924-024</b>	<b>ZIPPER BAG - TOP FILL (HIGH EFFICIENCY)</b>	
	**924-058	High Efficiency Paper Bag Inserts 3/pkg (fits #924-024 bag only)	1
	**924-056	Paper Bag Inserts 3/pkg. (fits bottom fill bag only)	1
	**946-011	Paper Bag Support Ring	1
	**924-002	Shake Down Dust Bag discontinued	
	**935-001	Clamp, Chain & Hook Assem. (for original shake down bag)	

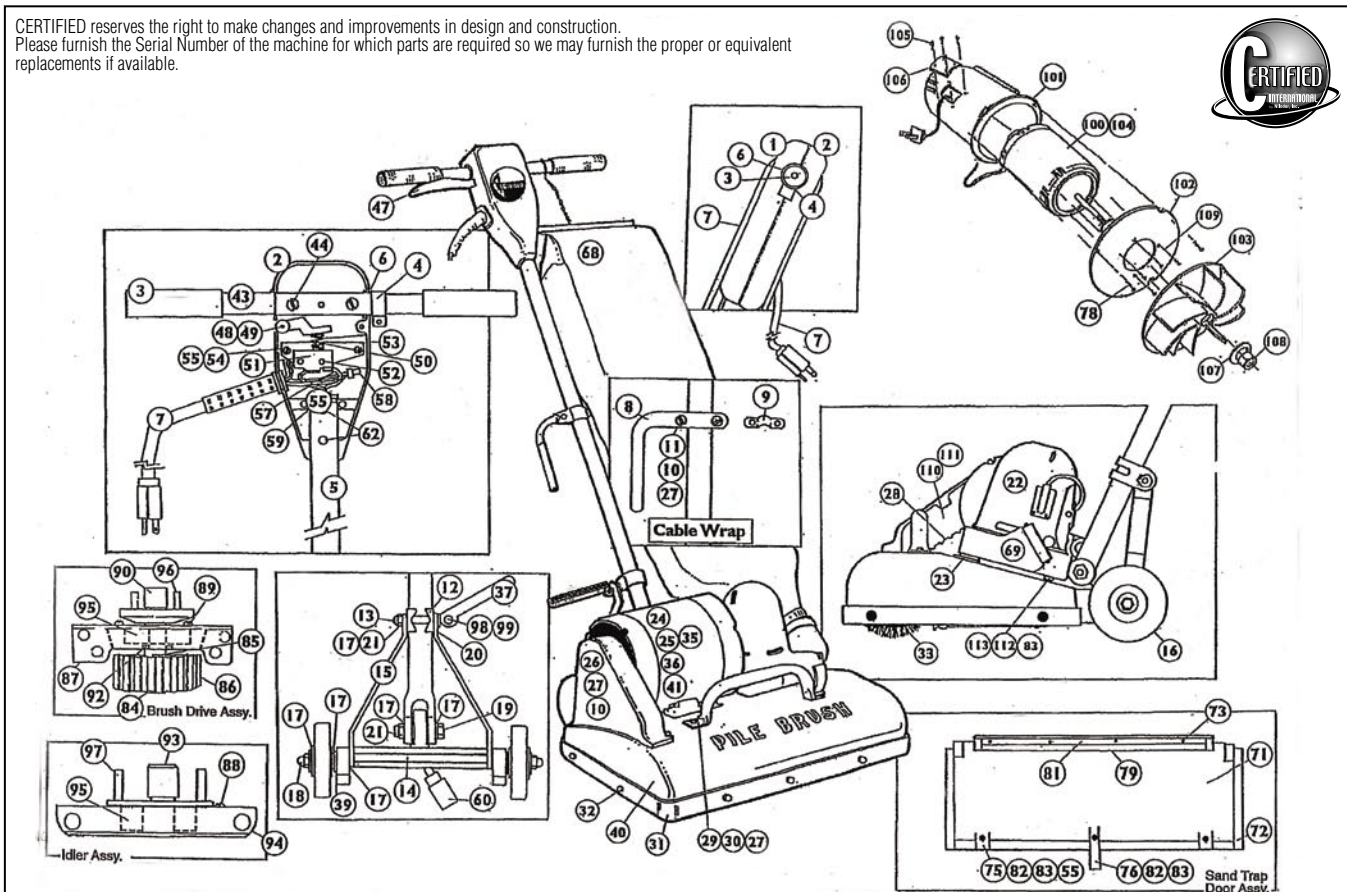
Drawing Number	Part Number	Description	Number Required
	<b>101-004</b>	<b>BASE WITH BUMPER ASSEMBLY</b>	
40	900-009	Polished Base Casting w/939-004 helicoils	1
31	928-009	Plastic Bumper	1
32	913-001	Nylon Bumper Rivets	9
	<b>101-007</b>	<b>BRUSH DRIVE SHAFT BEARING &amp; HOLDER ASSEMBLY</b>	
84	939-002	Drive Shaft Pulley Snap Ring	1
85	939-003	Brush Drive Shaft Pulley Key	1
86	936-003	Brush Drive Pulley	1
87	900-007	Drive Shaft Bearing Holder Casting	1
89	903-001	8-32 x 1/4 Rd. Hd. Screw	2
90	936-002	Brush Drive Shaft	1
96	901-025	1/4 x 3/4 Spiral Pin	2
95	937-001	Drive Bearing	1
92	939-001	Drive Bearing Snap Ring	1
	**903-018	1/4-20 x 1-1/2" Rd. Hd. M/S (Holds 900-007)	1
	**903-019	1/4-20 x 1-5/8" Rd. Hd. M/S in place)	3
	<b>101-009 IDLER SHAFT BEARING &amp; HOLDER ASSEMBLY</b>		
93	936-004	Brush Idler Shaft	1
94	900-008	Idler Bearing Holder Casting	1
95	937-001	Idler Bearing	1
97	901-025	1/4 x 3/4 Spiral Pin	2
88	903-004	6-32 x 1-1/4 Rd. Hd. Screw	1
	**903-019	1/4-20 x 1-5/8" Rd. Hd. M/S (Holds 900-008 in place)	2
	<b>101-013</b>	<b>SAND TRAP DOOR ASSEMBLY</b>	
	**901-003	7/8 Spiral Pin for Right Side Hinge & Sand Trap Spring	3
71	915-005	Sand Trap Door Stamping	1
72	914-012	Sand Trap Door Foam Tape Gasket, 26"	1
73	913-008	1/8 x 7/16 Semi-Tubular Rivet	4
	**901-004	1-1/8 Spiral Pin for Left Side Hinge	1
75	942-002	Spring Clamp	2
76	942-003	Finger Lift	1
79	928-012	Plastic Cigarette Catch	1
81	915-006	S.S. Reinforcing Strip	2
82	903-006	Spring Clamp Screw	2
	903-009	Finger Lift Screw	1
83	908-003	Spring Clamp & Finger Lift Nut	3
112	906-004	#10 Lock Washer "S"	3
22	<b>101-102</b>	<b>VACUUM MOTOR ASSEMBLY (115V)</b>	1
100	916-102	Vacuum Motor w/Pig Tail Only (115V)	1
101	1-871001-000	Motor Housing	1
102	932-052	Vac Motor Mount Plate	1
103	1-608005-000	Fan	1
78	911-009	Self Tapping Screw	4
105	903-001	#8-32 x 1/4 Screw 911-009A	3
106	915-224	Cover, Strain Relief	1
107	907-056	Washer Shims	a.r.
108	908-026	Nut - Left Hand 5/16-24	1
109	903-080	#10-32 x 1/4 Pan Hd. Screw	4
22	<b>101-112</b>	<b>VACUUM MOTOR ASSEMBLY (220V)</b>	1
104	916-112	Vacuum Motor w/Pig Tail Only (220V)	1
101	1-871001-000	Motor Housing	1
102	932-052	Vac Motor Mount Plate	1
103	1-608005-000	Fan	1
78	911-009	Self Tapping Screw	4
105	903-001	#8-32 x 1/4 Screw	4
106	915-224	Cover, Strain Relief	1

Drawing Number	Part Number	Description	Number Required
107	907-056	Washer Shims	a.r.
108	908-026	Nut - Left Hand 5/16-24	1
109	903-080	#10-32 x 1/4 Pan Hd. Screw	4
<b>MISCELLANEOUS PARTS</b>			
15.	915-004	Angle Support	2
33	945-082	Vegetable Fibre Brush	1
33	945-005	Nylon Tufted Brush	1
23	914-056	Vacuum Motor Gasket	1
24	916-049	Brush Drive Motor (115V, 60Hz)	1
24	916-095	Brush Drive Motor (220V, 50Hz)	1
25	910-046	5/16-18 x 3/4 Motor Mount Bolt	4
26	900-014	Belt Guard Casting	1
27	906-001	1/4 Lock Washer	a.r.
10	903-007	1/4-20 x 3/4 Rd. Hd. Screw	a.r.
28	941-001	Timing Belt	1
29	923-005	Chromed Handle	1
30	903-027	1/4-20 x 1/2 Rd. Hd. Screw	a.r.
35	936-001	Drive Motor Pulley w/912-002 Set Screws	1
36	907-035	5/16 Motor Mount Flat Washer	4
41	906-015	5/16 Lock Washer	4
110	915-215	Shield - Belt Guard	1
111	903-001	#8-32 x 1/4" Hd. Screw	2
69	2-015410-000	Fan Case	1
83	908-003	#10-24 Nut (Fan case to base)	3
55	906-004	#10 Lock Washer (Fan case to base)	3
113	904-049	#10-24 x 5/8 Lg. Flat Hd. Screw (Fan case to base)	3

\*\*INDICATES NOT ILLUSTRATED

a.r. - as required

CERTIFIED reserves the right to make changes and improvements in design and construction. Please furnish the Serial Number of the machine for which parts are required so we may furnish the proper or equivalent replacements if available.



## Nilodor/Certified Commercial Limited Warranty

### What this limited warranty covers:

Nilodor, Inc. warrants that your **Certified Model S Pile Lifter**, for a period of one year from your date of purchase, will be free from defects in material and workmanship for normal use in accordance with the Owner's Manual. This limited warranty is granted only to the original purchaser. This limited warranty is subject to the following provisions:

### What this limited warranty does not cover:

- Expenses related to pick up, delivery or house calls for warranty service.
- Parts of the cleaner that require replacement under normal use, such as disposable refill bags, drive belts brushes.
- Damages or malfunctions caused by accident, acts of God, negligence, abuse or use not in accordance with the Owner's Manual.
- Defects or damages caused by improper service or maintenance, the use of parts other than genuine **Certified Model S Pile Lifter** parts or modifications made to the Pile Lifter without our prior written approval.
- Damage that occurs during shipment.
- **Certified Model S Pile Lifter** purchased outside the United States.
- **Certified Model S Pile Lifter** subjected to rental use.

### What Nilodor will do:

Nilodor/Certified will, at its option, repair or replace a defective Pile Lifter or Pile Lifter part that is covered by this limited warranty. As a matter of warranty policy, Nilodor will not refund the customer's purchase price.

### Warranty Registration:

To register for warranty, please fill out the registration card accompanying your unit. Mail to Nilodor within 30 days of purchasing.

### Obtaining warranty service:

To obtain warranty service, you must return the defective **Certified Model S Pile Lifter** or Pile Lifter part, with proof of purchase to **Nilodor, Inc.** For service information, call **800-443-4321** or email **info@nilodor.com**.

If you prefer, you can write to:

**Nilodor, Inc.**  
**10966 Industrial Parkway**  
**Bolivar, OH 44612**

If it is necessary to ship the Pile Brush outside your community to obtain warranty repair, you must pay the shipping charges. When returning parts for repair, please include the serial number from the base of the unit, under the vacuum bag.

### Further Limitations and Exclusions:

THE WARRANTY PROVIDED ABOVE IS EXCLUSIVE AND IN LIEU OF ALL OTHER EXPRESS OR IMPLIED WARRANTIES INCLUDING, BUT NOT LIMITED TO THE IMPLIED WARRANTIES OF MERCHANTABILITY OR FITNESS FOR A PARTICULAR PURPOSE. SOME LAWS DO NOT ALLOW THE EXCLUSION OF IMPLIED WARRANTIES. IF THESE LAWS APPLY, THEN ALL EXPRESS AND IMPLIED WARRANTIES ARE LIMITED TO THE WARRANTY PERIOD IDENTIFIED ABOVE. UNLESS STATED HEREIN, ANY STATEMENTS OR REPRESENTATIONS MADE BY ANY OTHER PERSON OR FIRM ARE VOID. EXCEPT AS PROVIDED IN THIS WRITTEN WARRANTY, NEITHER NILODOR, INC. OR ITS AFFILIATES SHALL BE LIABLE FOR ANY LOSS, INCONVENIENCE OR DAMAGE INCLUDING DIRECT, SPECIAL, INCIDENTAL OR CONSEQUENTIAL DAMAGES, RESULTING FROM THE USE OR INABILITY TO USE THE VACUUM PRODUCT, WHETHER RESULTING FROM BREACH OF WARRANTY OR ANY OTHER LEGAL THEORY. IN NO EVENT WILL NILODOR'S LIABILITY EXCEED THE PURCHASE PRICE OF THE CLEANER, LESS DEPRECIATION.

Some jurisdictions do not allow limitations on how long an implied warranty lasts and some jurisdictions do not allow exclusion or limitation of incidental or consequential damages, so the above limitations and exclusions may not apply to you. This warranty gives you specific legal rights, and you may also have other rights, which vary from jurisdiction to jurisdiction.

Every Pile Brush is personally hand crafted in the United States.



**NILODOR**<sup>®</sup>  
Inc.

10966 Industrial Parkway, Bolivar, Ohio 44612

**800-443-4321 or fax 330-874-3366 www.nilodor.com**