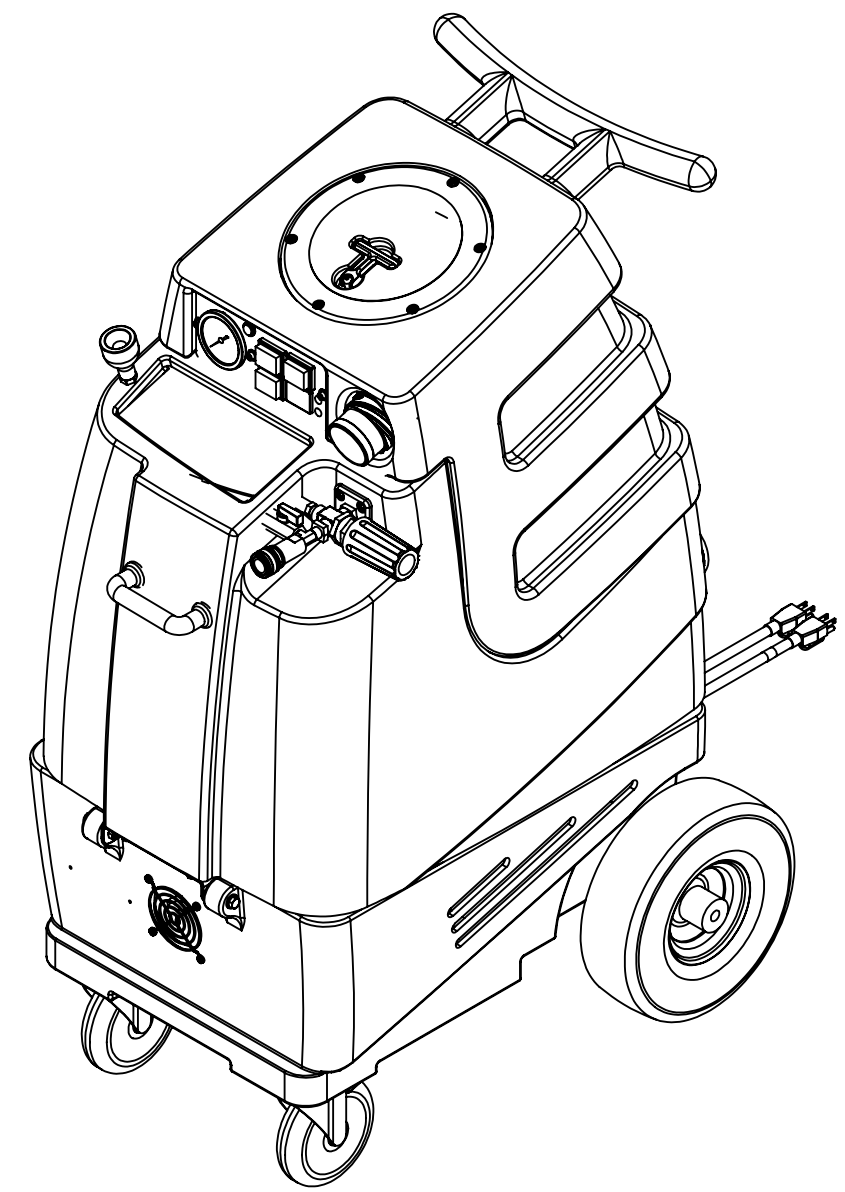


ITEM NO.	PART NO.	DESCRIPTION	QTY.	MSRP
1	H296	guard, cooling fan, wire	2	\$2.99 ea
2	H304	screw, 8 x 5/8", phil oval, s/s	14	\$0.99 ea
3	H378	bracket, front hinge, sp/fb	1	\$8.99 ea
4	H210	washer, 1/4" flat, s/s	26	\$0.99 ea
5	H213	washer, 1/4" lock, s/s	10	\$0.99 ea
6	H201	bolt, 1/4-20 x 1/2", hex head, zinc	2	\$0.99 ea
7	H216	nut, lock, 1/4-20, nylon insert, s/s	14	\$0.99 ea
8	H316	bolt, 1/4x1-1/2", hex head zinc	2	\$0.99 ea
9	H342	bolt, 1/4-20 x 1" hex head, s/s	8	\$0.99 ea
10	H666	caster, 5", Black hub & gray tread	2	\$23.19 ea
11	P731	base	1	\$141.99 ea
12	H371	axle, 18.03" x .50" dia	1	\$9.99 ea
13	H254	washer, axle, cut 1/2" id	8	\$0.99 ea
14	H109	wheel, 10", foam filled	2	\$79.99 ea
15	H042	c-clip, 12mm, external	2	\$0.99 ea
16	H876	washer, 1/2 flat, s/s	4	\$0.99 ea
17	E550	power cord, pigtail, 30", 12/3, black	2	\$11.49 ea
18	H220	fitting, strain relief, cord	2	\$3.19 ea
19	H221	nut, lock, 1/2" steel	2	\$1.99 ea
20	H912	bracket, rear, fb/spy	1	\$9.99 ea
21	H307	washer, star, 1/4" steel zinc	2	\$0.99 ea
22	H770	bolt, 1/4-20 x 1/2" serrated hex flange, zinc	8	\$0.99 ea
23	H202	bolt, 1/4x20x3/4" hex head	4	\$0.99 ea
24	B246	plug, brass, 3/8" mpt, hex	1	\$1.99 ea
25	B186	elbow, brass, 90 deg, 3/8"mpt x 3/8" fmpt	2	\$8.99 ea
26	B105	bushing, brass, 3/8"mpt x 1/4"	1	\$3.19 ea
27	B260A	qd, brass, 1/4" mqd x fpt	2	\$8.99 ea
28	B259A	qd, brass, 1/4" fqd x fpt	2	\$15.99 ea
29	B644	adapter, brass, 1/2" barb x 1/4" mpt	1	\$2.49 ea
30	PH615-37	sol hose, 1/2" kuri, 100 psi	1	\$8.99 ft
31	B173	ferrule, 1/2", brass	2	\$0.99 ea
32	B160	adapter, brass, 1/2" barb x 3/8" fsw, ball end	1	\$3.49 ea
33	B652	elbow, brass, 90 deg, 3/8"mpt x 1/4"mpt	1	\$8.49 ea
34	B107	nipple, brass, 1/4"m, hex	3	\$3.19 ea
35	B643	adapter, brass, 3/8" fnpt x 1/4" mnpt	1	\$4.99 ea
36	B113	tee, brass, 1/4" fpt	1	\$6.99 ea
37	AH184	hose, pulse BLK 49"(OAL), 1/4"fswl x 1/4"fswl	1	\$19.99 ea
38	C313A	pump, CAT, 50-500 PSI, 120/240v	1	\$599.99 ea
39	H768	bolt, 1/4-20 x 3/4" serrated hex flange, zinc	2	\$0.99 ea
40	H211	washer, 1/4" id x 1" od, flat, s/s	6	\$0.99 ea
41	G052	washer, buna 1-1/8" od x 3/16" id	6	\$1.99 ea
42	H485	handle, aluminim grip, black	1	\$6.99 ea
43	PH612-60	clear tubing, 1/2" OD x 3/8" ID, faucet fill	1	\$1.99/ft
44	B241	adapter, brass, 3/8" barb x 1/4"mpt	1	\$1.99 ea
45	H178	faucet fill	1	\$10.99 ea
46	G018	cover, sol tank (sp)	1	\$12.99 ea
47	P732	sol tank	1	\$0.99 ea
48	PH628-24	vac hose, 2" wire reinforced, gray	2	\$8.99/ft
49	H217	clamp, hose, 2-1/4 dia	4	\$1.49 ea
50	H194	coupler, 2" dia x 2.5" length, s/s	2	\$10.00 ea
51	H124	Cuff-Lynx, 2" mpt x 2" female cuff	2	\$3.99 ea
52	PH634-20	sol hose, 1/4", 300 PSI	1	\$6.49 ft
53	B109	adapter, brass, 1/4" barb x 1/4" mpt	2	\$1.99 ea
54	H256	screw, 10-32 x 3/4" phil pan head, zinc	4	\$0.99 ea
55	H484	plate, mounting, QD	1	\$4.99 ea
56	AH203	hose, pulse BLK 49"(OAL), 1/4"fswl x 1/4"fswl	1	\$19.99 ea
57	C313C	regulator, 450 psi, silver spring	1	\$86.99 ea
58	B135	tee, brass, 1/4" mpt	1	\$5.49 ea
59	B102	qd, brass, 1/4" f x 1/4" fpt	1	\$17.99 ea
60	B656	ball valve, 1/4"	1	\$13.49 ea
61	B170	ferrule, 1/4" brass	2	\$0.99 ea
62	PH634-36	sol hose, 1/4", 300 PSI	1	\$6.49 ft

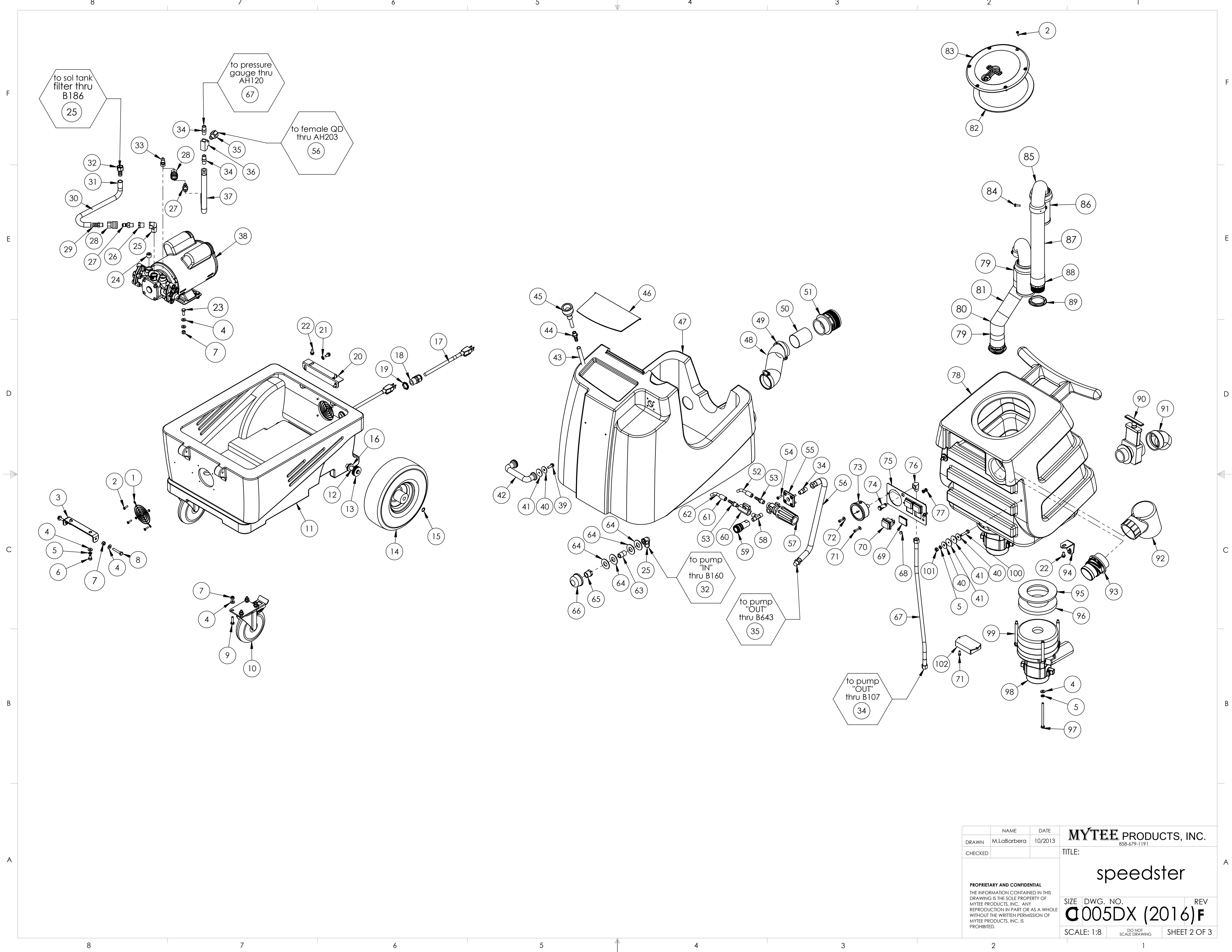
ITEM NO.	PART NO.	DESCRIPTION	QTY.	MSRP
63	B216	nipple, brass, 3/8" x close	1	\$1.99 ea
64	H299	washer, 11/16" id x 1-1/2" od x .075, s/s	4	\$0.99 ea
65	B210	bushing, brass, 1/2"mpt x 3/8" fpt, hex	1	\$2.49 ea
66	B119A	filter, strainer, 1/2"	1	\$6.49 ea
67	AH120	sol hose, 1/4" x 24 1/2", (OAL), f x fsw, 3000psi	1	\$35.99 ea
68	H422	plug, dome 3/8", black	2	\$1.00 ea
69	P967A	plug, switch	1	\$1.99 ea
70	E515	switch, rocker, 2 position	3	\$13.99 ea
71	H389	screw, 10-32 x 1/2" SHCS, alloy	4	\$0.99 ea
72	H612	Washer, #8, flat regular	3	\$0.99 ea
73	H308D	gauge, pressure, 2000psi	1	\$38.99 ea
74	E512B	light, indicator, 125v (amber)	1	\$9.99 ea
75	H337	plate, switch, 1003DX, 1005DX	1	\$8.99 ea
76	B103	elbow, brass, 90 deg, 1/4"mpt x 1/4" fpt	1	\$4.49 ea
77	H273	nut, kep, #10-32 zinc	2	\$0.99 ea
78	P733	vac tank	1	\$190.99 ea
79	PH633-3	pipe, pvc, 1-1/2"	2	\$4.99/ft
80	P503	adapter, 1.5" pvc, 45 deg, fslip x fslip	2	\$3.29 ea
81	PH633-5	pipe, pvc, 1-1/2"	1	\$4.99/ft
82	G091	gasket, 7", vac lid	1	\$11.99 ea
83	G090	lid, vac tank, clear, 7"	1	\$36.99 ea
84	H343	screw, 10 x 5/8" hex head, zinc	6	\$0.99 ea
85	P755	elbow, U, 180, 1-1/2", float	2	\$8.99 ea
86	H490	float, 2" / 1.5" ball style	2	\$19.99 ea
87	PH633-12	pipe, pvc, 1-1/2"	1	\$4.99/ft
88	P520	adapter, pvc, 1-1/2" mpt x 1-1/2" fms	2	\$2.99 ea
89	H314	nut, lock, 1-1/2", steel	2	\$1.99 ea
90	H225	valve, drain, 1-1/2"	1	\$20.99 ea
91	H226	spout, drain, 45 degree	1	\$3.19 ea
92	A926	elbow, inlet assembly 2"	1	\$15.99 ea
93	H135	Cuff-Lynx, 2" m cuff x 2" mpt	1	\$3.99 ea
94	H390A	bracket, "L"	2	\$6.99 ea
95	G004-A	gasket, vacuum motor	2	\$6.99 ea
96	G004	gasket, vacuum motor	2	\$8.99 ea
97	H096	bolt, hex, 1/4-20 x 4", zinc Finish	6	\$0.99 ea
98	C302A	vac motor, 3-stage hp, 120V, 145"	2	\$148.99 ea
99	H503	vac support, 3 stage, 3.25", no thrds	6	\$3.99 ea
100	H203	bolt, 1/4-20 x 1-1/4"	2	\$0.99 ea
101	H215	nut, hex, 1/4-20 s/s	2	\$0.99 ea
102	E564	controller, circuit light	1	\$62.99 ea

ITEMS NOT SHOWN

PART NO.	DESCRIPTION	QTY.	MSRP
A995	harness, electrical	1	\$78.99 ea
G008	piglet filet	1	\$6.29 pak
H375	hanger, wire formed, hose	1	\$10.99 ea
H230	screw, 10-32 x 1/2" phil pan head, s/s	2	\$0.99 ea
H141	Cuff-Lynx, 2" to 1.5" reducer	1	\$3.99 ea
E530	power cord, ext 50', 12/3 black	2	\$74.99 ea
H110	Cuff-Lynx, 2" hose x 2" fem swivel Cuff-Lynx	1	\$3.99 ea
P568A	cord lock, s-type	2	\$8.99 ea
ADM-SPEEDSTERS	manual, speedsters	1	



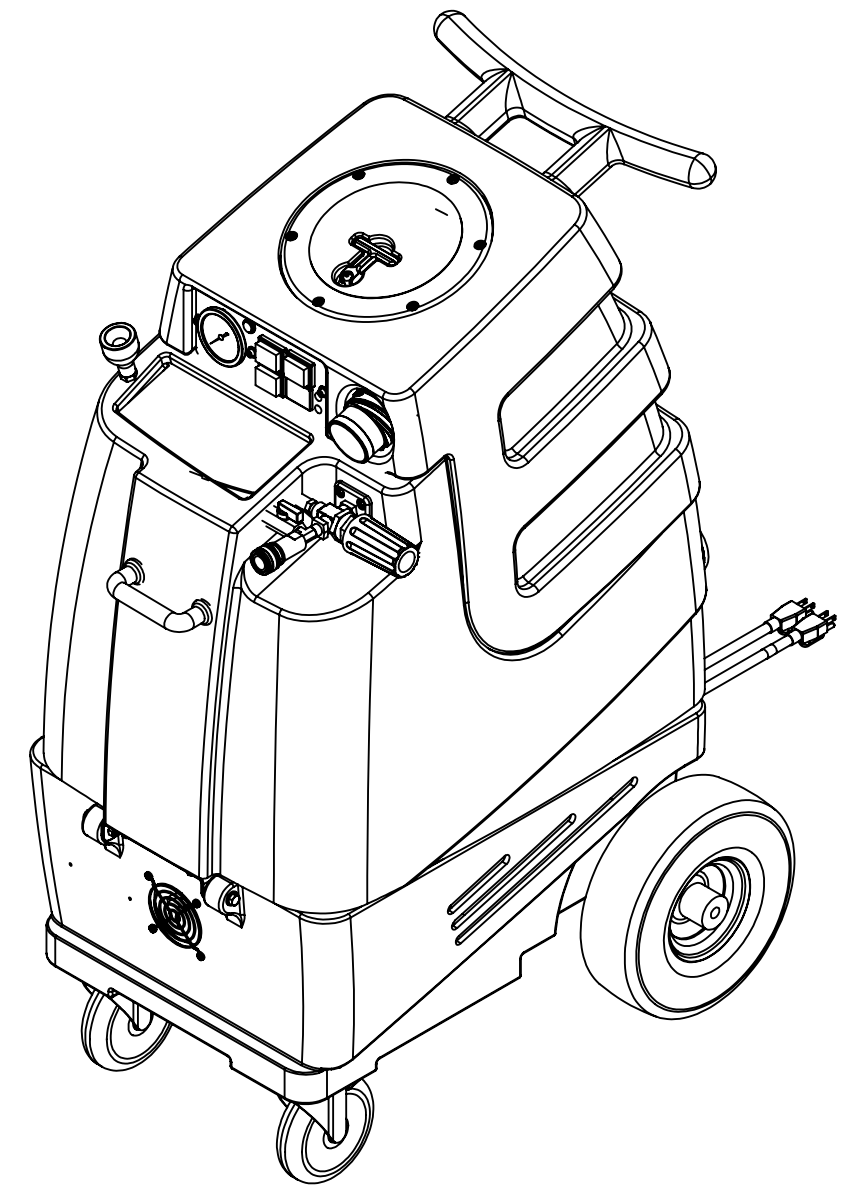
NAME	DATE	MYTEE PRODUCTS, INC. <small>858-679-1191</small>
DRAWN M.LaBarbera	10/2013	
CHECKED		TITLE:
		speedster
<small>PROPRIETARY AND CONFIDENTIAL THE INFORMATION CONTAINED IN THIS DRAWING IS THE SOLE PROPERTY OF MYTEE PRODUCTS, INC. ANY REPRODUCTION IN PART OR AS A WHOLE WITHOUT THE WRITTEN PERMISSION OF MYTEE PRODUCTS, INC. IS PROHIBITED.</small>		SIZE DWG. NO. REV C005DX (2016)F
SCALE: 1:8		DO NOT SCALE DRAWING SHEET 1 OF 3



	NAME	DATE	MYTEE PRODUCTS, INC. 858-679-1191		
DRAWN	M.LaBarbera	10/2013	TITLE:		
CHECKED			speedster		
<small>PROPRIETARY AND CONFIDENTIAL THE INFORMATION CONTAINED IN THIS DRAWING IS THE SOLE PROPERTY OF MYTEE PRODUCTS, INC. ANY REPRODUCTION IN PART OR AS A WHOLE WITHOUT THE WRITTEN PERMISSION OF MYTEE PRODUCTS, INC. IS PROHIBITED.</small>			SIZE	REV	
			DWG. NO. C005DX (2016)F		
			SCALE: 1:8	DO NOT SCALE DRAWING	SHEET 2 OF 3

REVISIONS

REV.	DESCRIPTION	DATE	APPROVED
OD	ORIGINAL DRAFT	-	JFL
A	REPLACED G003 W G022	8/2013	JFL
B	REPLACED H033 W H342, ADDED H210 & H216	10/8/2013	JFL
C	G021 REPLACED W G097	10/28/2013	JFL
D	REPLACED H219 W H042	8/8/2014	ML
E	ADDED B241	4/22/2015	ML
F	REMOVED ELECTRONIC FLOAT	3/8/2016	ML



	NAME	DATE	MYTEE PRODUCTS, INC. <small>858-679-1191</small>		
DRAWN	M.LaBarbera	10/2013			
CHECKED			TITLE:		
<small>PROPRIETARY AND CONFIDENTIAL THE INFORMATION CONTAINED IN THIS DRAWING IS THE SOLE PROPERTY OF MYTEE PRODUCTS, INC. ANY REPRODUCTION IN PART OR AS A WHOLE WITHOUT THE WRITTEN PERMISSION OF MYTEE PRODUCTS, INC. IS PROHIBITED.</small>			speedster		
			SIZE	DWG. NO.	REV
			0005DX (2016)F		
			SCALE: 1:8	DO NOT SCALE DRAWING	SHEET 3 OF 3